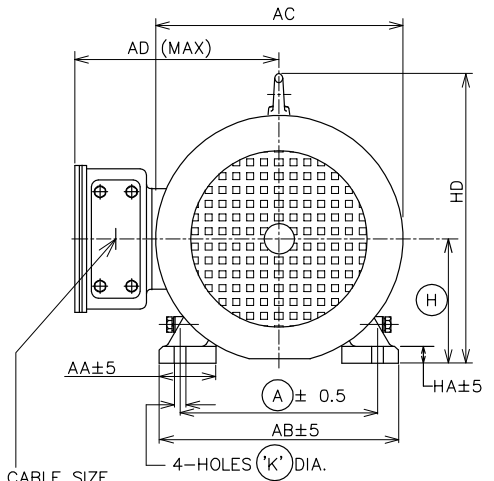
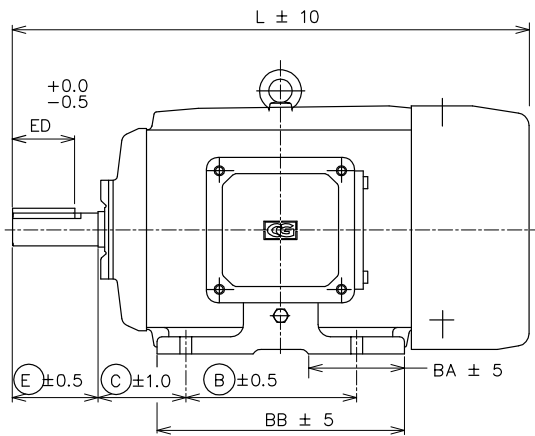
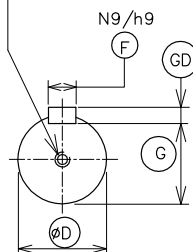


OUTLINE DIMENSION DRAWING FOR 3 PHASE SQUIRREL CAGE TEFC FOOT MOUNTED INDUCTION MOTORS



CABLE ENTRY PROVIDED AS PER CUSTOMER CABLE SIZE

*Y*THREADED CENTRE HOLES
AS PER IS: 2540-1963



VIEW FROM DE SIDE.

RINGED DIMENSIONS ARE AS PER IS:1231

ALL DIMENSIONS ARE IN mm.

Frame	A	B	C	H	AA	AB	BA	BB	K	D	E	ED	F	GD	G	Y	AD	AC	L	HD	HA
ND100L	160	140	63	100.0 99.5	36	192	45	170	12.0 12.5	28.009 23.996	60	44	8.00 7.964	7.00 6.91	24.0 23.8	M10x22	160	215	370	250	13

CUSTOMER: -

kW: -

P.O.No.: -

FRAME: -ND100L

ENQ./IND.No.: -

RPM: -

CONSULTANT/CLIENT: -

M/C.No.: -

DRN.

CHD.

APPD.

BROOK CROMPTON

DRG. No.

ND10050

4POLE

SR.No: 001

REV.No.0