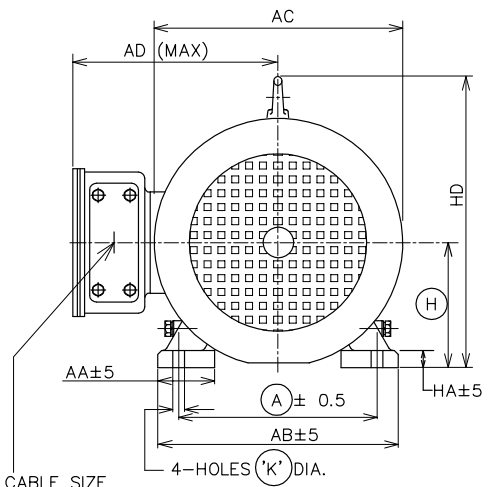
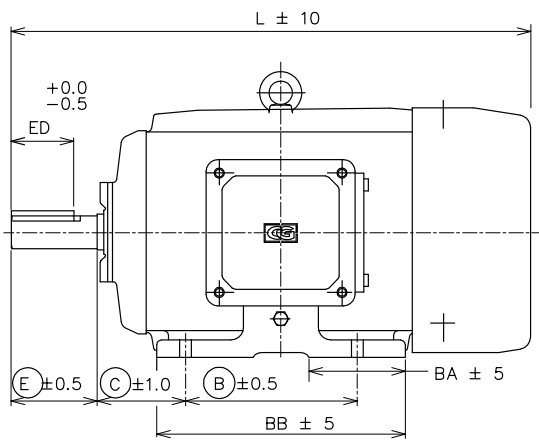
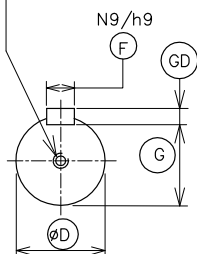


## OUTLINE DIMENSION DRAWING FOR 3 PHASE SQUIRREL CAGE TEFC FOOT MOUNTED INDUCTION MOTORS



CABLE ENTRY PROVIDED AS PER CUSTOMER CABLE SIZE

‘Y’ THREADED CENTRE HOLES  
AS PER IS: 2540-1963



VIEW FROM DE SIDE.

RINGED DIMENSIONS ARE AS PER IS: 1231  
ALL DIMENSIONS ARE IN mm.

Frame	A	B	C	H	AA	AB	BA	BB	K	D	E	ED	F	GD	G	Y	AD	AC	L	HD	HA
ND112M	190	140	70	112.0 111.5	36	222	60	170	12.0 12.5	28.009 23.996	60	44	8.00 7.964	7.00 6.91	24.0 23.8	M10x22	170	235	395	275	13

CUSTOMER: -			kW: -		
P.O.No.: -			FRAME: -ND112M		
ENQ./IND.No.: -			RPM: -		
CONSULTANT/CLIENT: -			M/C.No.: -		
DRN.			<div style="font-size: 2em; font-weight: bold; margin: 0;">BROOK CROMPTON</div>		
CHD.					
APPD.					
DRG. No.		ND11250		4POLE	
SR.No: 001		REV.No.0			

FORMAT No. DF17 MAY 95

MACHINE DIVN.3 (A4-210x297)