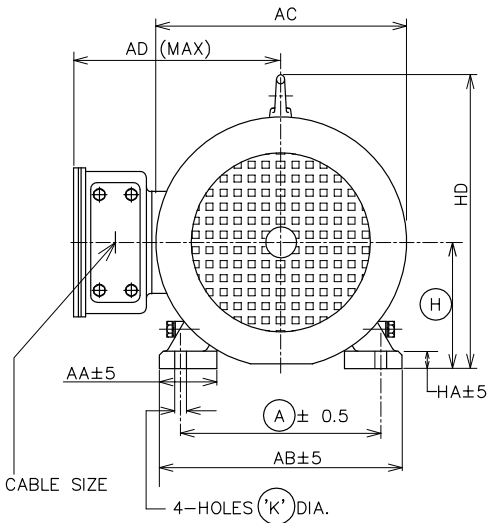
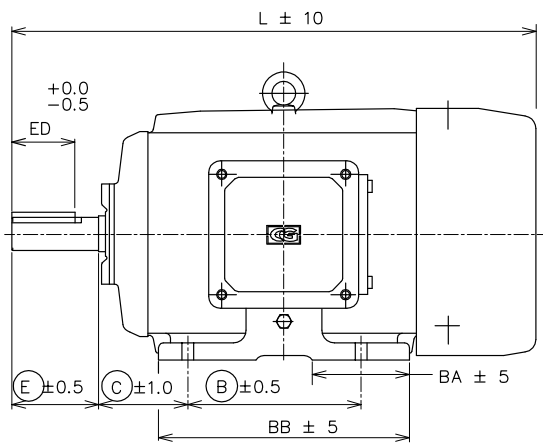
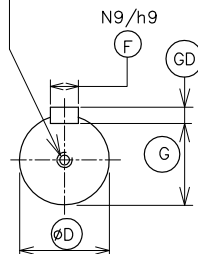


OUTLINE DIMENSION DRAWING FOR 3 PHASE SQUIRREL CAGE TEFC FOOT MOUNTED INDUCTION MOTORS



CABLE ENTRY PROVIDED AS PER CUSTOMER CABLE SIZE

*Y THREADED CENTRE HOLES
AS PER IS: 2540-1963



VIEW FROM DE SIDE.

RINGED DIMENSIONS ARE AS PER IS:1231
ALL DIMENSIONS ARE IN mm.

Frame	A	B	C	H	AA	AB	BA	BB	K	D	E	ED	F	GD	G	Y	AD	AC	L	HD	HA
ND132S	216	140	89	132.0	48	254	54	178	12.0	38.018	80	60	10.0	8.00	33.0	M12x28	190	275	470	320	16
ND132M		178		131.5					12.5	38.002			9.964	7.91	32.8				510		

CUSTOMER: -

kW: -

P.O.No.: -

FRAME: -ND132S/M

ENQ./IND.No.: -

RPM: -

CONSULTANT/CLIENT: -

M/C.No.: -

DRN.

CHD.

APPD.

**BROOK
CROMPTON**

DRG. No.

ND13250

4POLE

SR.No: 001

REV.No.0