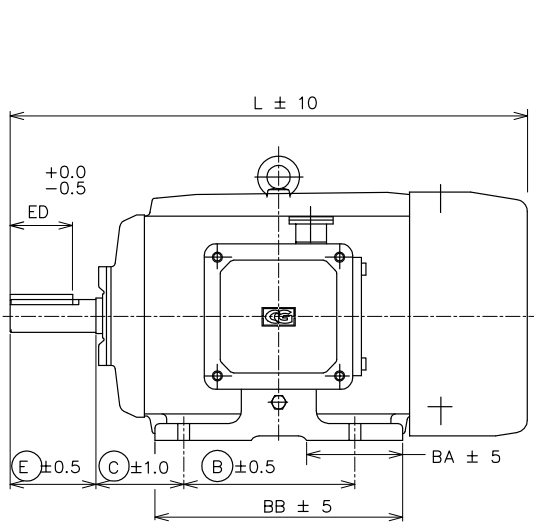
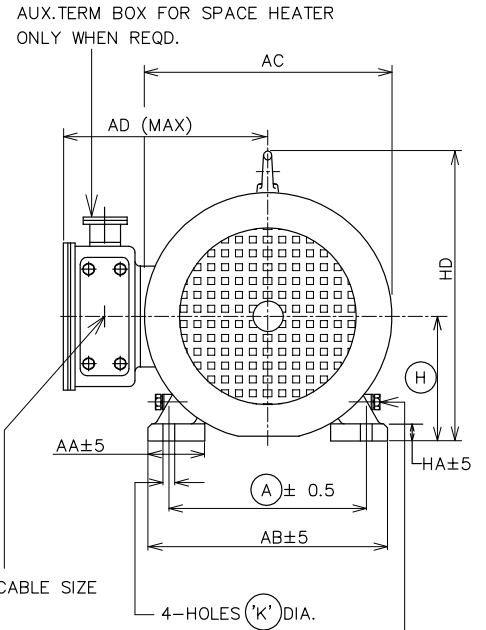


OUTLINE DIMENSION DRAWING FOR 3 PHASE SQUIRREL CAGE TEFC FOOT MOUNTED INDUCTION MOTORS

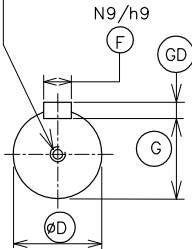


CABLE ENTRY PROVIDED AS PER CUSTOMER CABLE SIZE



EARTHING TERMINALS OF M8 FOR 160-225 FRAMES.

'Y' THREADED CENTRE HOLES
AS PER IS: 2540-1963



VIEW FROM DE SIDE.

RINGED DIMENSIONS ARE AS PER IS: 1231
ALL DIMENSIONS ARE IN mm.

Frame	A	B	C	H	AA	AB	BA	BB	K	D	E	ED	F	GD	G	Y	AD	AC	L	HD	HA
ND180M	279	241	121	180.0 179.5	84	348	85	286	15.0 15.5	48.018 48.002	110	80	14.00 13.957	9.00 8.91	42.5 42.3	M16X32	345	352	677	418	22
ND180L	279	279	121	180.0 179.5	84	348	106	323	15.0 15.5	48.018 48.002	110	80	14.00 13.957	9.00 8.91	42.5 42.3	M16X32	345	352	715	418	22

CUSTOMER: -

kW: -

P.O.No.: -

FRAME: -ND180M/L

ENQ./IND.No.: -

RPM: -

CONSULTANT/CLIENT: -

M/C.No.: -

DRN.

CHD.

APPD.

BROOK
CROMPTON

DRG. No.

ND18050

4POLE

SR.No: 001

REV.No.0