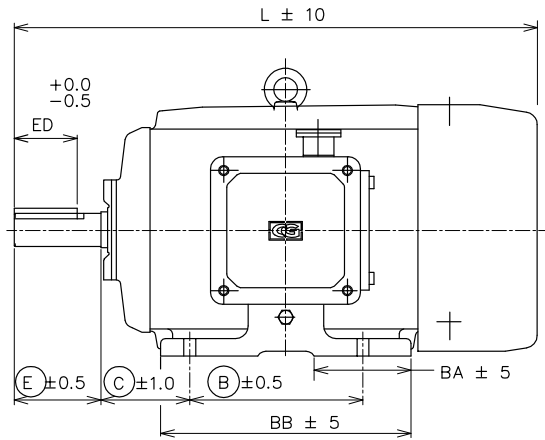
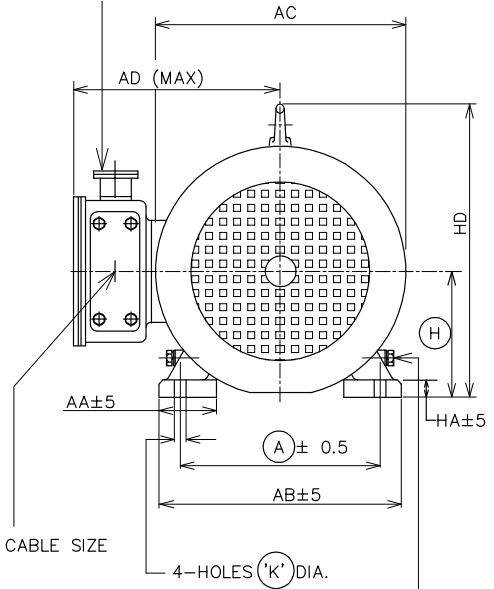


OUTLINE DIMENSION DRAWING FOR 3 PHASE SQUIRREL CAGE TEFC FOOT MOUNTED INDUCTION MOTORS



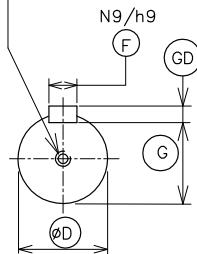
CABLE ENTRY PROVIDED AS PER CUSTOMER CABLE SIZE

AUX. TERM. BOX FOR SPACE HEATER
ONLY WHEN REQD.



EARTHING TERMINALS OF M8 FOR 160-225 FRAMES.

'Y' THREADED CENTRE HOLES
AS PER IS: 2540-1963



VIEW FROM DE SIDE.

RINGED DIMENSIONS ARE AS PER IS: 1231
ALL DIMENSIONS ARE IN mm.

| Frame | A | B | C | H | AA | AB | BA | BB | K | D | E | ED | F | GD | G | Y | AD | AC | L | HD | HA |
|--------|-----|-----|-----|----------------|----|-----|-----|-----|--------------|------------------|-----|----|-----------------|--------------|--------------|--------|-----|-----|-----|-----|----|
| ND200L | 318 | 305 | 133 | 200.0 199.5 | 66 | 381 | 115 | 356 | 19.0 19.5 | 55.030 55.011 | 110 | 80 | 16.00 15.957 | 10.0 9.91 | 49.0 48.8 | M20X40 | 430 | 428 | 790 | 480 | 25 |

CUSTOMER: -

kW: -

P.O.No.: -

FRAME: -ND200L

ENQ./IND.No.: -

RPM: -

CONSULTANT/CLIENT: -

M/C.No.: -

DRN.

CHD.

APPD.

**BROOK
CROMPTON**

DRG. No.

ND20050

4POLE

SR.No: 001

REV.No.0