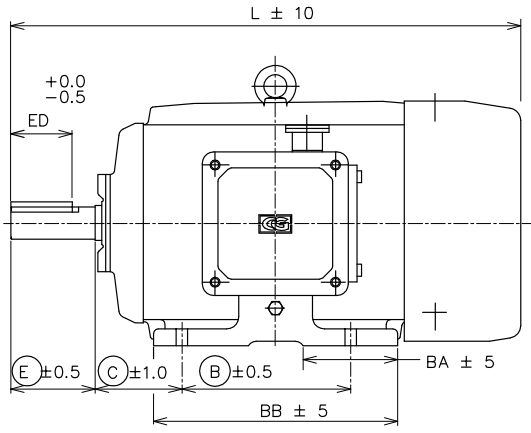
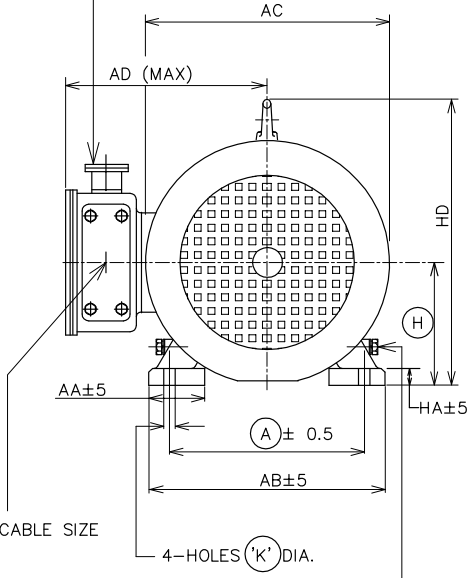


OUTLINE DIMENSION DRAWING FOR 3 PHASE SQUIRREL CAGE TEFC FOOT MOUNTED INDUCTION MOTORS



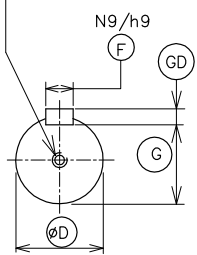
AUX. TERM. BOX FOR SPACE HEATER
ONLY WHEN REQD.



CABLE ENTRY PROVIDED AS PER CUSTOMER CABLE SIZE

EARTHING TERMINALS OF M8 FOR 160-225 FRAMES.

'Y' THREADED CENTRE HOLES
AS PER IS: 2540-1963



VIEW FROM DE SIDE.

RINGED DIMENSIONS ARE AS PER IS:1231
ALL DIMENSIONS ARE IN mm.

| Frame | A | B | C | H | AA | AB | BA | BB | K | D | E | ED | F | GD | G | Y | AD | AC | L | HD | HA |
|--------|-----|-----|-----|----------------|----|-----|-----|-----|--------------|------------------|-----|-----|-----------------|----------------|--------------|--------|-----|-----|-----|-----|----|
| ND225S | 356 | 286 | 149 | 225.0 224.5 | 70 | 425 | 102 | 340 | 19.0 19.5 | 60.030 60.011 | 140 | 110 | 18.00 17.957 | 11.00 10.91 | 53.0 52.8 | M20X40 | 455 | 470 | 840 | 534 | 25 |
| ND225M | 356 | 311 | 149 | 225.0 224.5 | 70 | 425 | 102 | 375 | 19.0 19.5 | 60.030 60.011 | 140 | 110 | 18.00 17.957 | 11.00 10.91 | 53.0 52.8 | M20X40 | 455 | 470 | 865 | 534 | 25 |

| | |
|----------------------|------------|
| CUSTOMER: - | kW: - |
| P.O.No.: - | FRAME: - |
| ENQ./IND.No.: - | RPM: - |
| CONSULTANT/CLIENT: - | M/C.No.: - |

| | | |
|-------|--|--|
| DRN. | | |
| CHD. | | |
| APPD. | | |

BROOK CROMPTON

| | | |
|-------------|----------|-------|
| DRG. No. | ND22550 | 4POLE |
| SR.No.: 001 | REV.No.0 | |

FORMAT No. DF7 MAY '95

MACHINE DIVN.3 (A4-210/297)