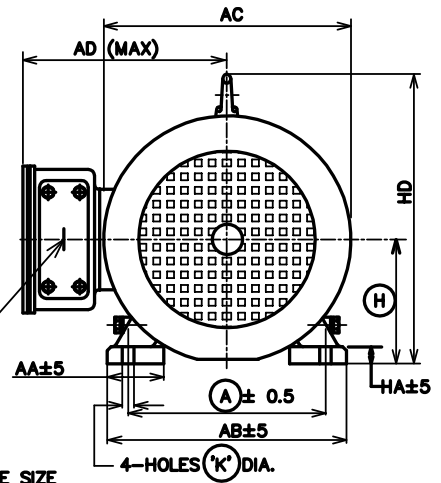
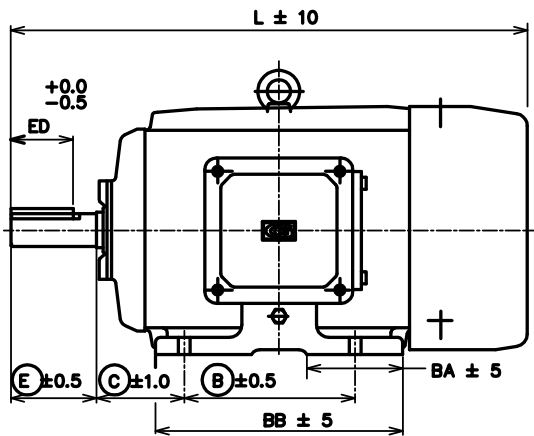
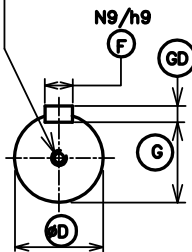


OUTLINE DIMENSION DRAWING FOR 3 PHASE SQUIRREL CAGE
TEFC FOOT MOUNTED INDUCTION MOTORS



CABLE ENTRY PROVIDED AS PER CUSTOMER CABLE SIZE

*Y THREADED CENTRE HOLES
AS PER IS: 2540-1963



VIEW FROM DE SIDE.

RINGED DIMENSIONS ARE AS PER IS:1231
ALL DIMENSIONS ARE IN mm.

Frame	A	B	C	H	AA	AB	BA	BB	K	D	E	ED	F	GD	G	Y	AD	AC	L	HD	HA
ND90S	140	100	56	90.0	35	168	40	127	10.0	24.009	50	36	8.00	7.00	20.0	M8x19	150	195	315	-	13
ND90L		125		89.5			52	152	10.5	23.996			7.964	6.91	19.8				340		

CUSTOMER: -	kW: -
P.O.No.: -	FRAME: -ND90S/L
ENQ./IND.No.: -	RPM: -
CONSULTANT/CLIENT: -	M/C.No.: -

DRN.		
CHD.		
APPD.		

**BROOK
CROMPTON**

DRG. No.	ND9050	4POLE
SR.No: 001	REV.No.0	