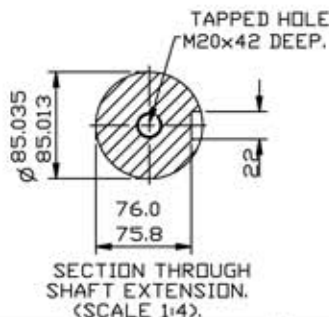


NOTE!
CABLE ENTRY CAN BE SUPPLIED
IN ANY ONE OF FOUR POSITIONS
AT 90° INTERVALS.

NOTE!
STANDARD MACHINES ARE ARRANGED FOR HORIZONTAL OVERHUNG MOUNTING.
CUSTOMERS SHOULD NOTIFY US WHEN ORDERING IF VERTICAL MOUNTING
IS REQUIRED. IF VERTICAL, THE MOTOR THRUST BEARING MUST NOT BE
ALLOWED TO TAKE ANY LOAD OTHER THAN THE WEIGHT OF THE ROTOR
WITHOUT OUR APPROVAL.



CUSTOMER		
ORDER No.		
SERIAL No.		
FRAME SIZE		
KW	R.P.M.	
Hz	PHASE 3	
VOLTS	POLES	
BRGS.	D.F.	N.D.F
MOTOR NETT. WT. Kg.		
INSULATION CLASS		
TEMPERATURE RISE °C		
DESIGN AMBIENT TEMPERATURE °C		
HEATER WATTS & VOLTS (IF FITTED)		
WATTS, VOLTS		

REMARKS

EEx de IIB
BASEEFA CERTIFICATE
No. Ex99E1171X

or

EEx de IIB
BASEEFA CERTIFICATE
No. Ex99E1172X T4.

ALL DIMENSIONS IN MILLIMETRES



FIRST ANGLE
PROJECTION

NOTE!
2.5 ENDPLAY WILL BE PROVIDED FOR ENDTHRUST
PROTECTION WHEN CUSTOMERS NOTIFY US OF THEIR
INTENTION TO USE RIGID COUPLINGS AND DRIVEN
MACHINES WITHOUT ENDPLAY.

OUTLINE DIMENSIONS OF STANDARD FLANGE MOUNTED METRIC
A.C. MOTOR TO BS4999 PART 141. EEx de TO EN50014/18/19.
TOTALLY ENCLOSED FA N VENTILATED.
FRAME SIZE: W-EF315S-D (4 POLE UP).

SCALE	1/9	DATE
DRAWN	LM	19.4.00
CHECKED	JML	19.4.00
APPROVED	JML	19.4.00

DRG. No.	M70320
REVISION:	DATE