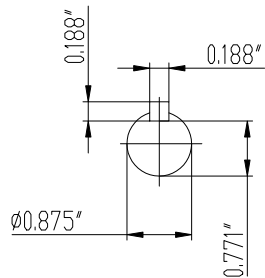
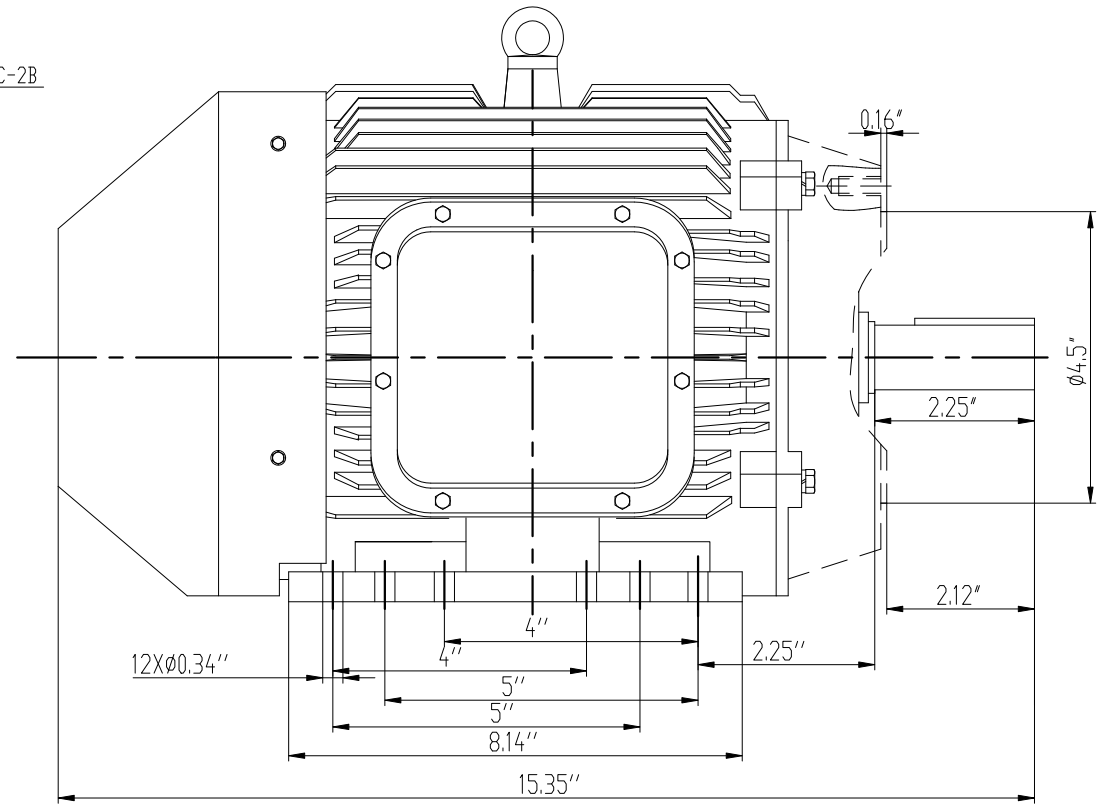
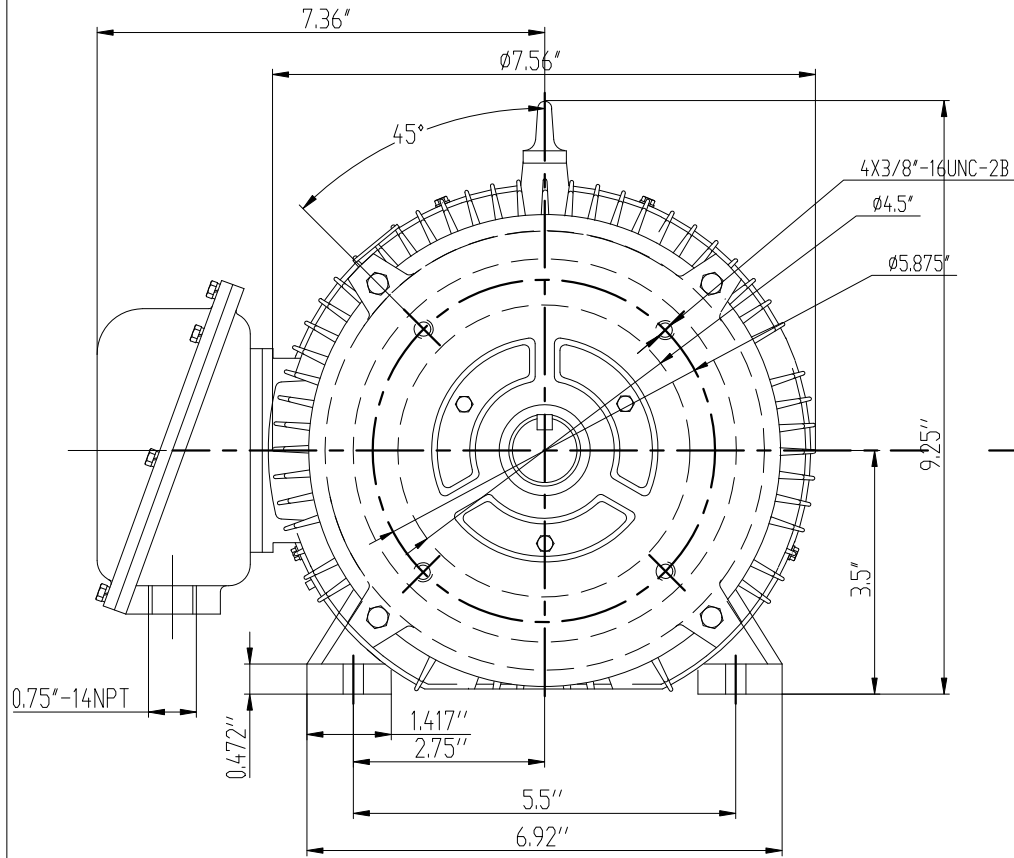


1AP.050.0551.1-6WX



				1AP.050.0551.1-6WX	
				WEIGHT	SCALE
				1:1	
LET.	REVISION	BY	DATE	NSHE140 MOTOR	
	DESIGN	REN XIADHUA		F-1	
	REVIEW	XIE XIADLONG			
	APPROVE	YU JIABIN			
	DATE	20170526			
				 Keeping Industry Turning	