

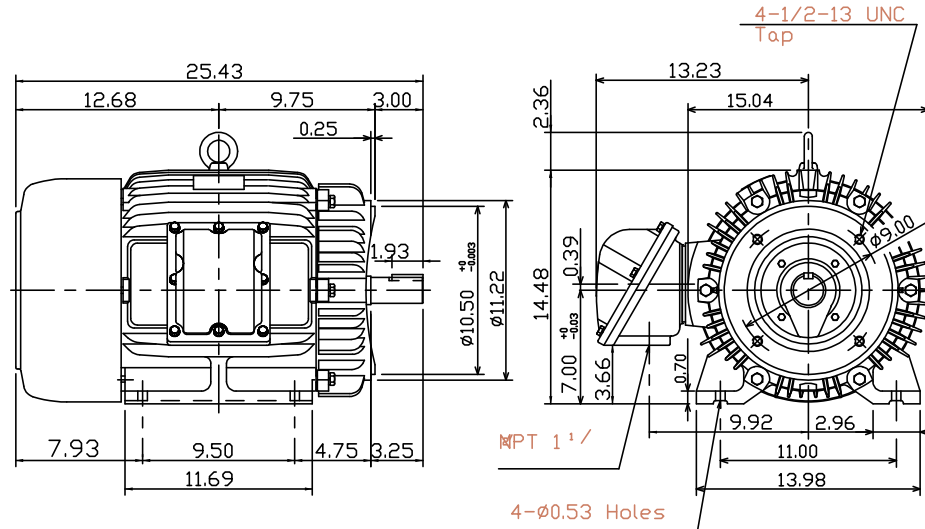
OUTLINE DIMENSIONS

MOTOR TYPE:

3-PHASE INDUCTION MOTOR

FRAME NO. 284TSC

Totally Enclosed Fan Cooled Type, Squirrel-cage Rotor.



Note:  
 1. Explosion proof:  
 Class I Group D and  
 Class II Group E,F,G.

**BROOK  
CROMPTON**

DWG NO.