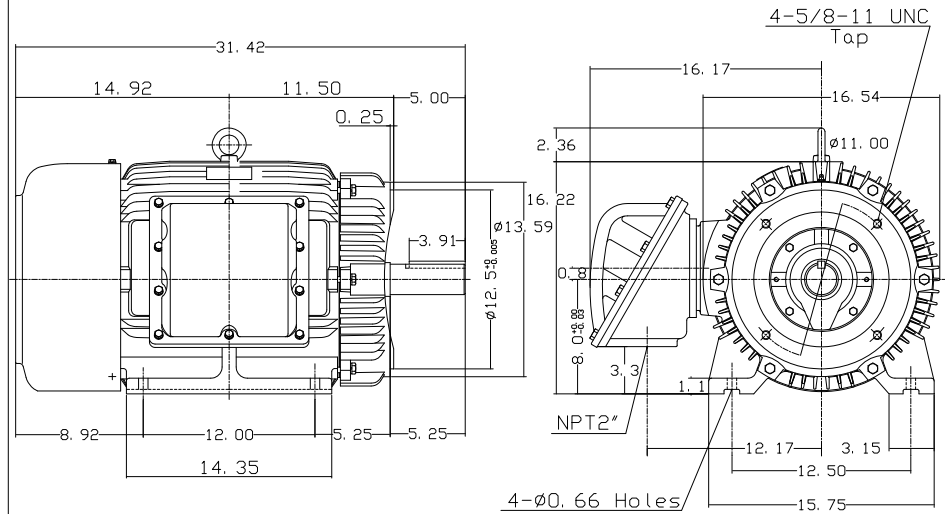


DATE APRIL 6, 2007	OUTLINE DIMENSIONS 3-PHASE INDUCTION MOTOR	MOTOR TYPE:
CATALOG NO.		FRAME NO. 326TC

Pole	HP	KW	Hz	VOLT	Syn. Speed r/min(rpm)

Ins	Rating	Dimension in	Approx Weight	Bearings	
F	CONT.	inches	790 LBS	DE: 6312	NDE: 6212

Totally Enclosed Fan Cooled Type. Squirrel-cage Rotor.



Note:  
1. Explosion proof:  
Class I Group D and  
Class II Group E, F, G.

DWN.		11:30:00	<b>BROOK CROMPTON</b>	DWG NO.
CHKD.		03-07-01		
APPD.		03-07-01		