

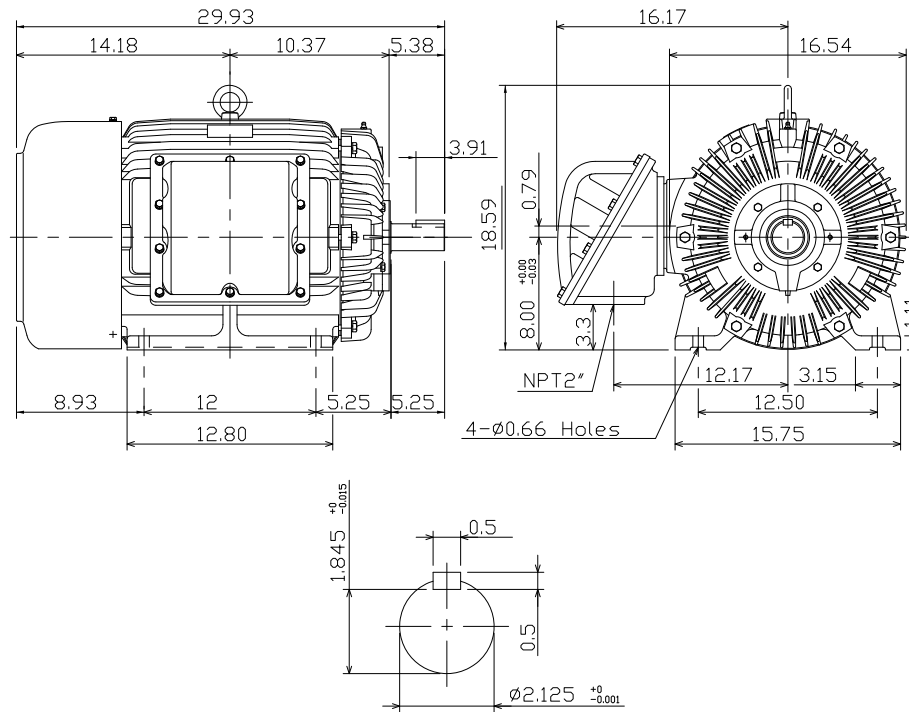
OUTLINE DIMENSIONS

MOTOR TYPE:

3-PHASE INDUCTION MOTOR

FRAME NO. 326T

Totally Enclosed Fan-Cooled Type. Squirrel-Cage Rotor.



Note:

1. Explosion-proof:
Class I Group D and
Class II Group E.F.G.

**BROOK
CROMPTON**

DWG NO.