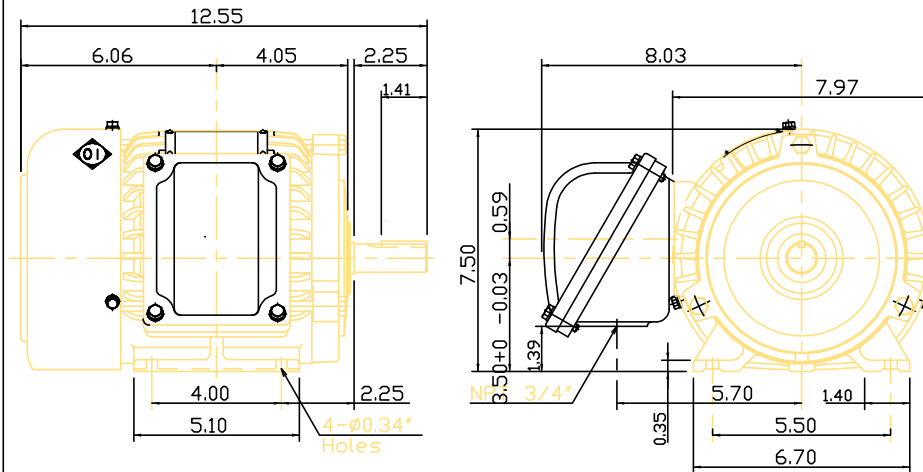


OUTLINE DIMENSIONS
3-PHASE INDUCTION MOTOR

MOTOR TYPE:

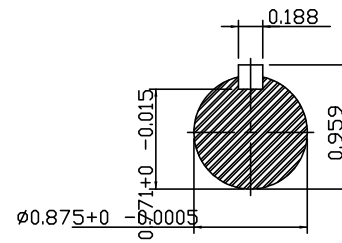
FRAME NO. 143T

Totally Enclosed Fan-Cooled Type.Squirrel-Cage Rotor.



Note:

- 1. Explosion proof:
Class I Group C,D and
Class II Group E,F,G.



**BROOK
CROMPTON**

DWG NO.