

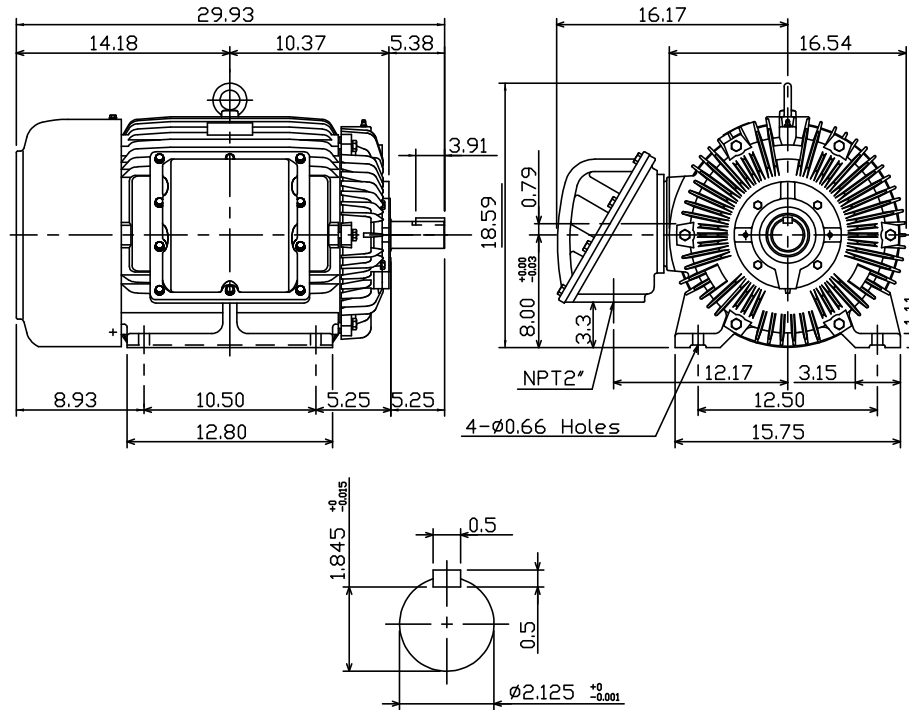
OUTLINE DIMENSIONS

MOTOR TYPE:

3-PHASE INDUCTION MOTOR

FRAME NO. 324T

Totally Enclosed Fan-Cooled Type. Squirrel-Cage Rotor.



Note:

- Explosion-proof:  
Class I Group D and  
Class II Group E.F.G.

**BROOK  
CROMPTON**

DWG NO.