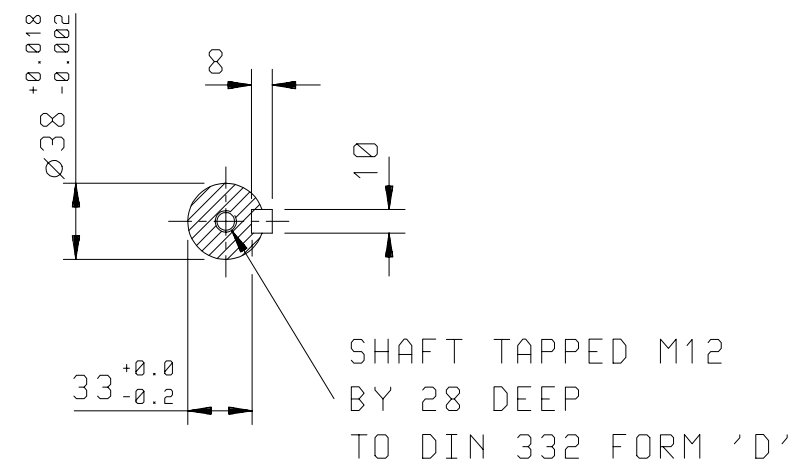


| | | |
|-----------------|-------|------|
| CUSTOMER | | |
| ORDER No. | | |
| PART No. | | |
| OUR ORDER No. | | |
| FRAME SIZE | | |
| KW. | RPM. | |
| Hz | PHASE | |
| VOLTS | POLES | |
| BRGS. | DE. | NDE. |
| MOTOR NETT WT. | Kg. | |
| SPECIAL REMARKS | | |



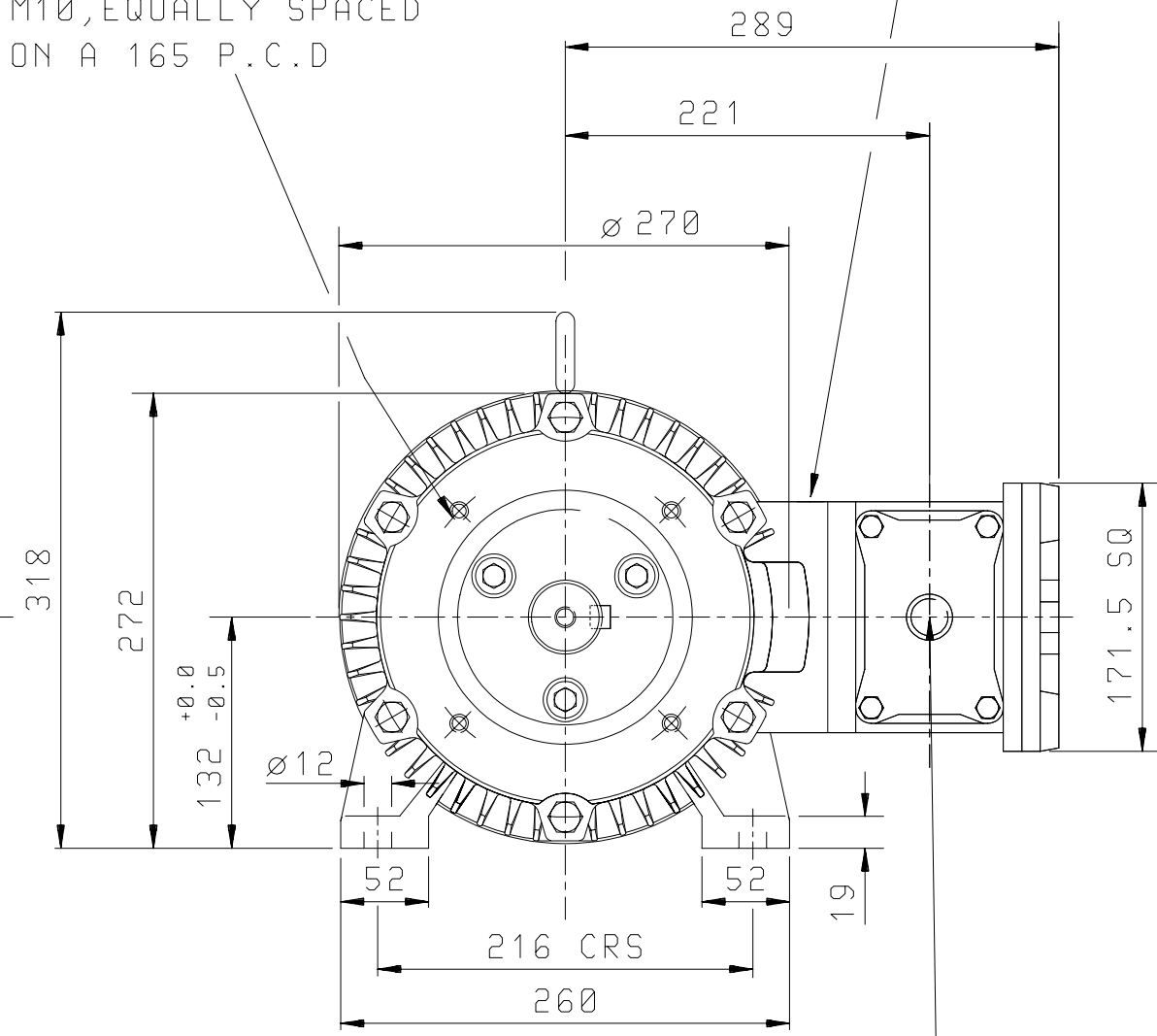
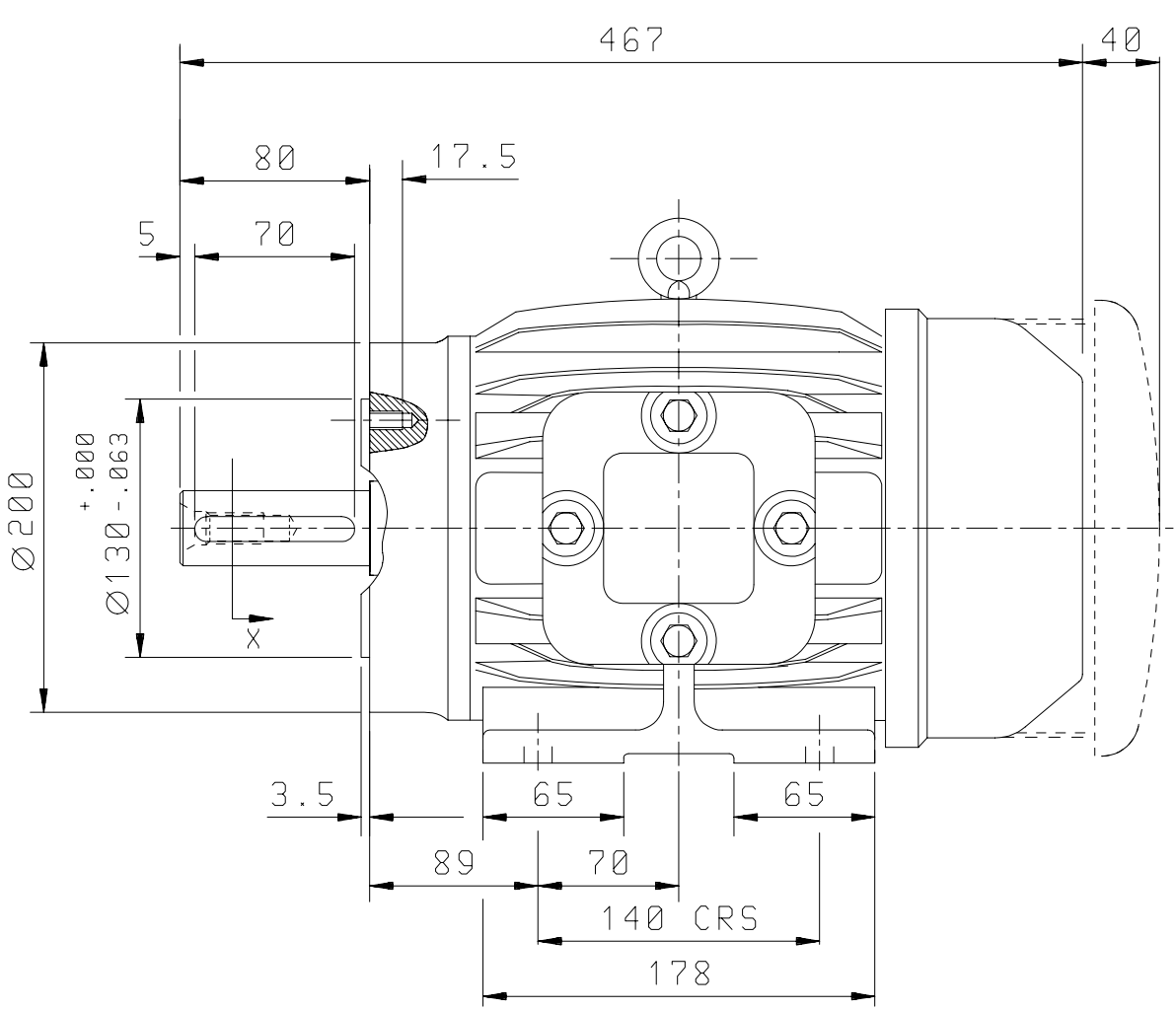
CABLE ENTRY POSITION SHOWN IS FOR ILLUSTRATION ONLY, TERMINAL BOX CAN BE ROTATED THROUGH 90° INTERVALS.

DRIP-PROOF COWL FITTED ON ALL VERTICAL SHAFT DOWN MOTORS & ALL MOTORS WITH CAST IRON FAN COVERS, OR WHEN REQUESTED.

SECTION ON 'X'

4-HOLES TAPPED BLIND M10, EQUALLY SPACED ON A 165 P.C.D

EXTERNAL EARTH POSITION



1 - CONDUIT ENTRY TAPPED M25 TO SUIT COMPRESSION GLAND

ALL DIMENSIONS IN MILLIMETRES



BROOK CROMPTON

Huddersfield, HD1 3LJ
 ENGLAND

| | | | |
|-------------------------|---|---------|----------|
| SHEET SIZE A3 | TITLE | NAME | DATE |
| | OUTLINE DIMENSION DRAWING 'W' FLAMEPROOF TOTALLY ENCLOSED FAN COOLED EEXD 132S FRAME FOOT & C FACE MOUNTED MOTOR GROUPS IIA & IIB | DRAWN | 26-11-03 |
| | | CHECKED | 26-11-03 |
| | | SCALE | N.T.S |

| | | | |
|-----------|------------|------|--|
| DRG. No. | K13GC002/0 | | |
| DRG. REF. | | | |
| REVISION: | | DATE | |