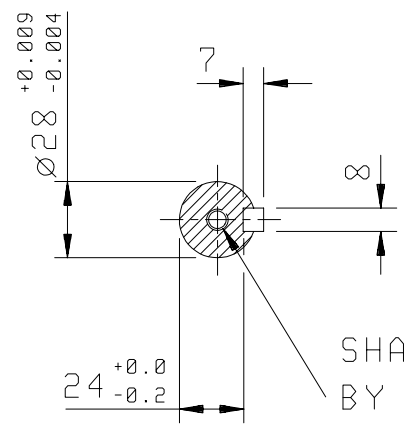


CUSTOMER		
ORDER No.		
PART No.		
OUR ORDER No.		
FRAME SIZE		
KW.	RPM.	
Hz	PHASE	
VOLTS	POLES	
BRGS.	DE.	NDE.
MOTOR NETT WT.		Kg.
SPECIAL REMARKS		

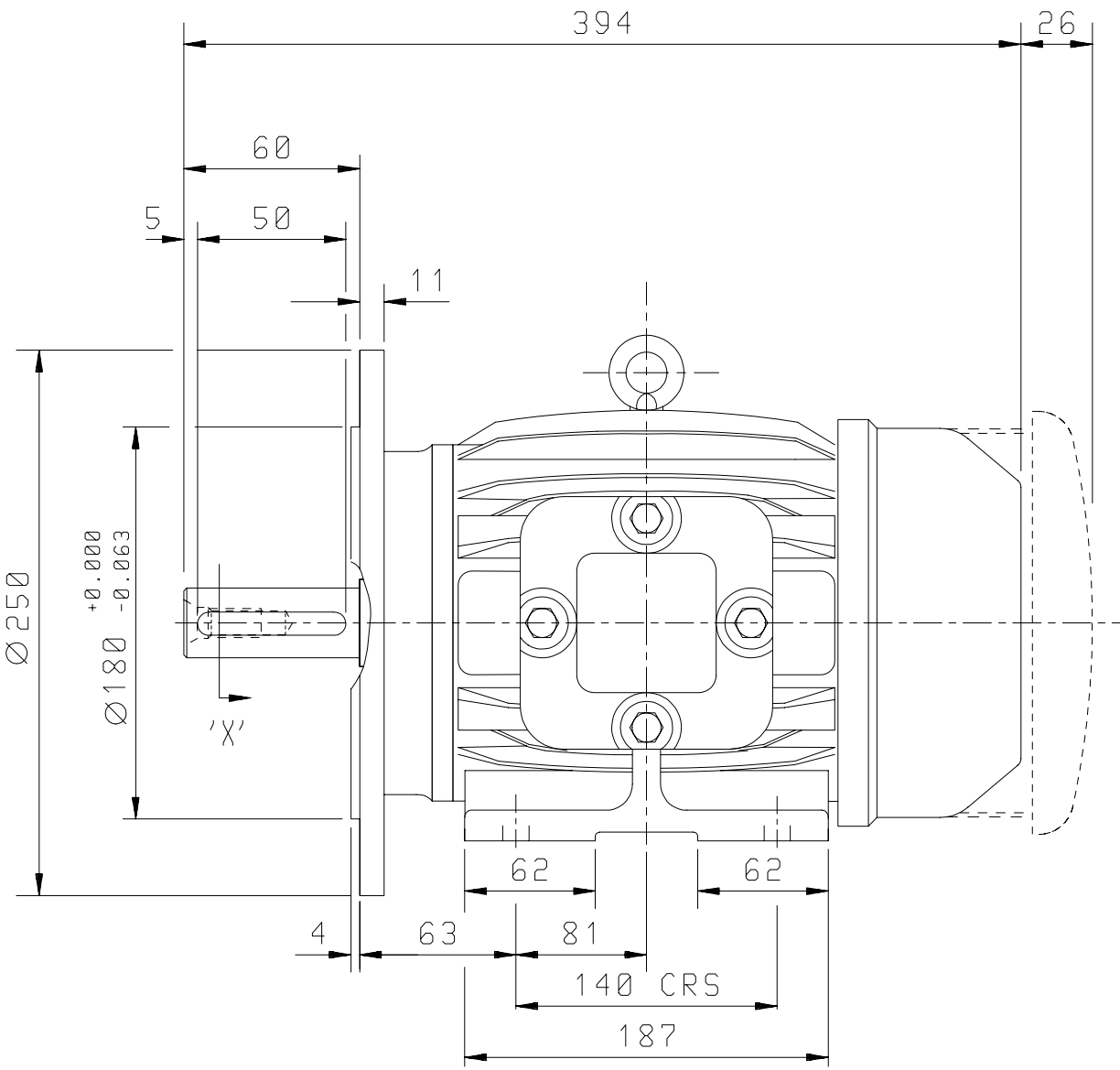


SHAFT TAPPED M10
 BY 22 DEEP
 TO DIN 332 FORM 'D'

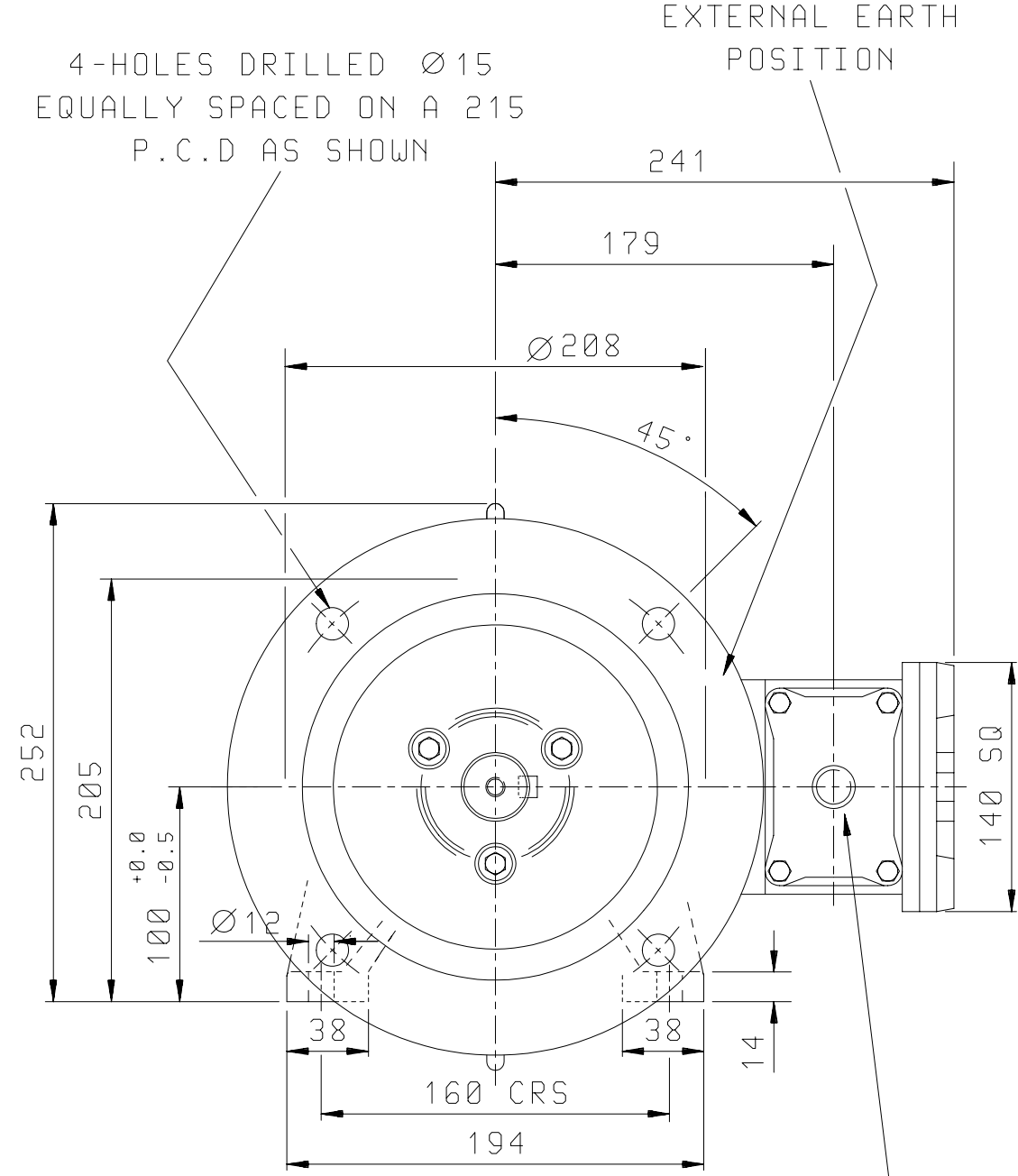
CABLE ENTRY POSITION SHOWN IS FOR
 ILLUSTRATION ONLY, TERMINAL BOX CAN
 BE ROTATED THROUGH 90° INTERVALS.

DRIP-PROOF COWL FITTED ON ALL
 VERTICAL SHAFT DOWN MOTORS &
 ALL MOTORS WITH CAST IRON
 FAN COVERS, OR WHEN REQUESTED.

SECTION ON 'X'



4-HOLES DRILLED Ø15
 EQUALLY SPACED ON A 215
 P.C.D AS SHOWN



1 - CONDUIT ENTRY
 TAPPED M20 TO SUIT
 COMPRESSION GLAND

ALL DIMENSIONS IN MILLIMETRES



BROOK CROMPTON

Huddersfield, HD1 3LJ
 ENGLAND

SHEET
 SIZE
A3

TITLE
 OUTLINE DIMENSION DRAWING 'W' FLAMEPROOF TOTALLY ENCLOSED FAN
 COOLED EExd 100L FRAME FOOT & FLANGE MOUNTED MOTOR GROUPS IIA & IIB

	NAME	DATE
DRAWN	ULR	06-01-04
CHECKED	DH	06-01-04
SCALE	N.T.S	

DRG. No.	K10GD003/0		
DRG. REF.			
REVISION:		DATE	