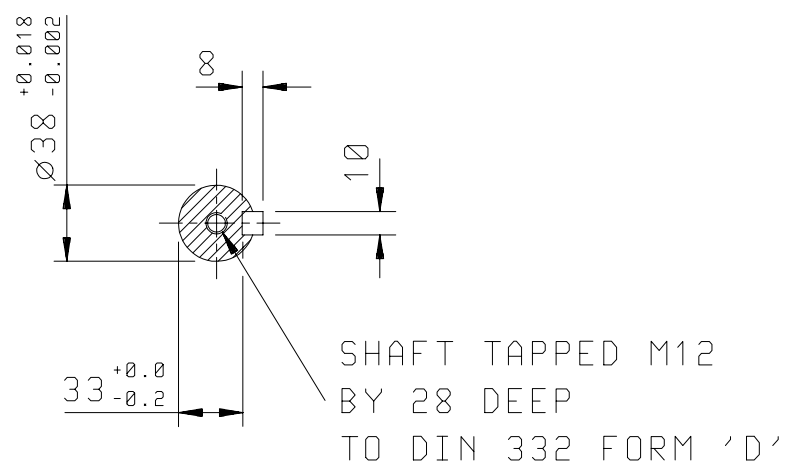


CUSTOMER		
ORDER No.		
PART No.		
OUR ORDER No.		
FRAME SIZE		
KW.	RPM.	
Hz	PHASE	
VOLTS	POLES	
BRGS.	DE.	NDE.
MOTOR NETT WT.		Kg.
SPECIAL REMARKS		

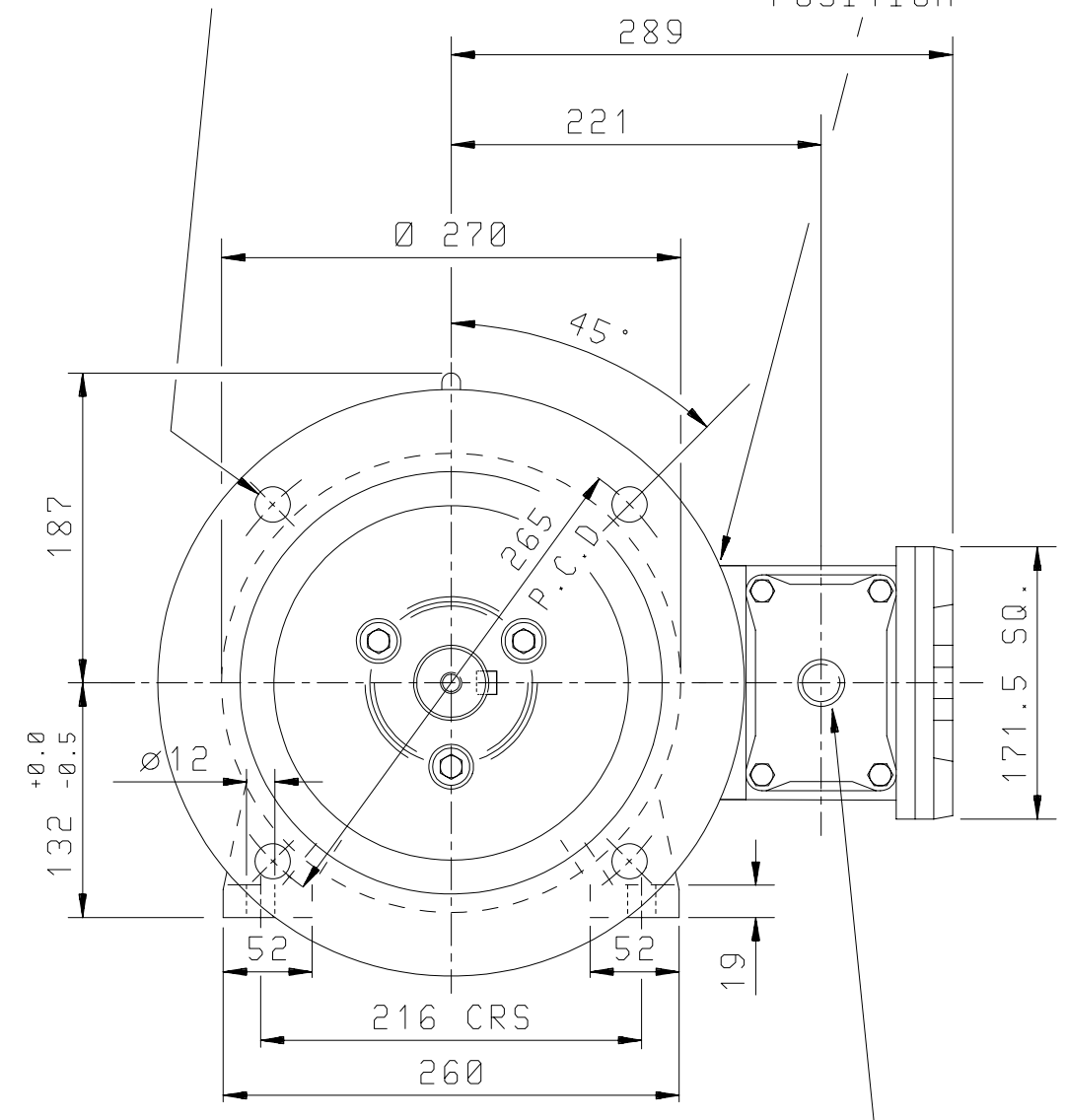
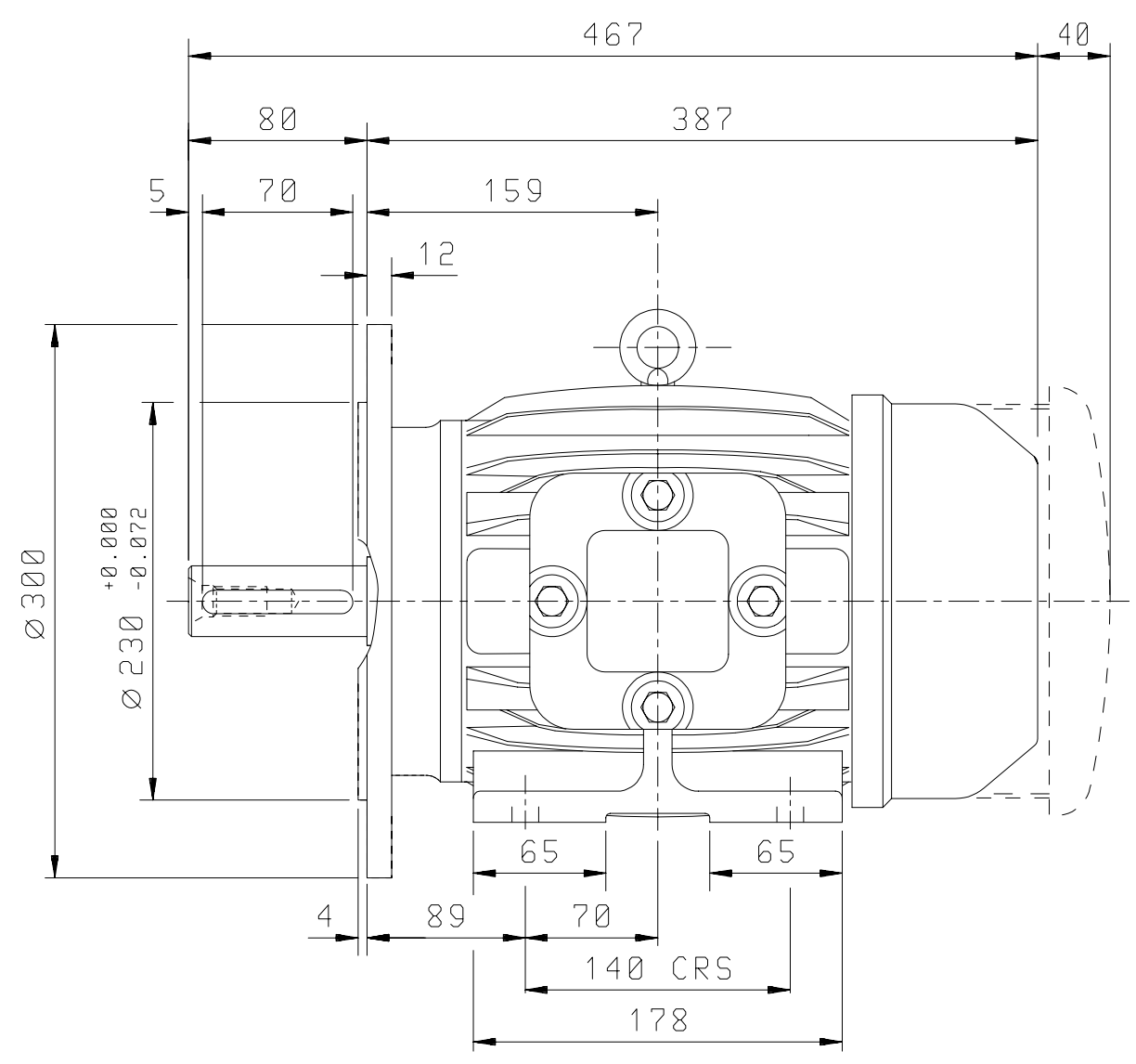


CABLE ENTRY POSITION SHOWN IS FOR ILLUSTRATION ONLY, TERMINAL BOX CAN BE ROTATED THROUGH 90° INTERVALS.

DRIP-PROOF COWL FITTED ON ALL VERTICAL SHAFT DOWN MOTORS OR WHEN REQUESTED

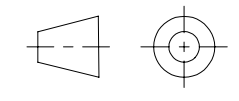
4-HOLES DRILLED Ø15 EQUALLY SPACED AS SHOWN

EXTERNAL EARTH POSITION



1 x M25 CONDUIT ENTRY TO SUIT COMPRESSION GLAND

ALL DIMENSIONS IN MILLIMETRES



FIRST ANGLE PROJECTION

BROOK CROMPTON

Huddersfield, HD1 3LJ ENGLAND

SHEET SIZE A3	TITLE	OUTLINE DIMENSION DRAWING 'W' FLAMEPROOF TOTALLY ENCLOSED FAN COOLED EEXD 132S FRAME FLANGE AND FOOT MOUNTED MOTOR GROUPS IIA & IIB
	NAME	U.S.
	DATE	26-03-03
	SCALE	N.T.S

DRG. No.	K13GD001/0
DRG. REF.	
REVISION:	
DATE	