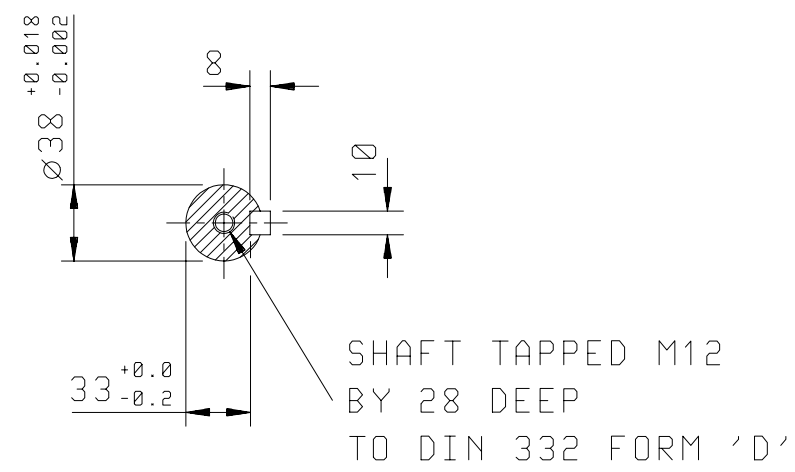


CABLE ENTRY POSITION SHOWN IS FOR ILLUSTRATION ONLY, TERMINAL BOX CAN BE ROTATED THROUGH 90° INTERVALS.

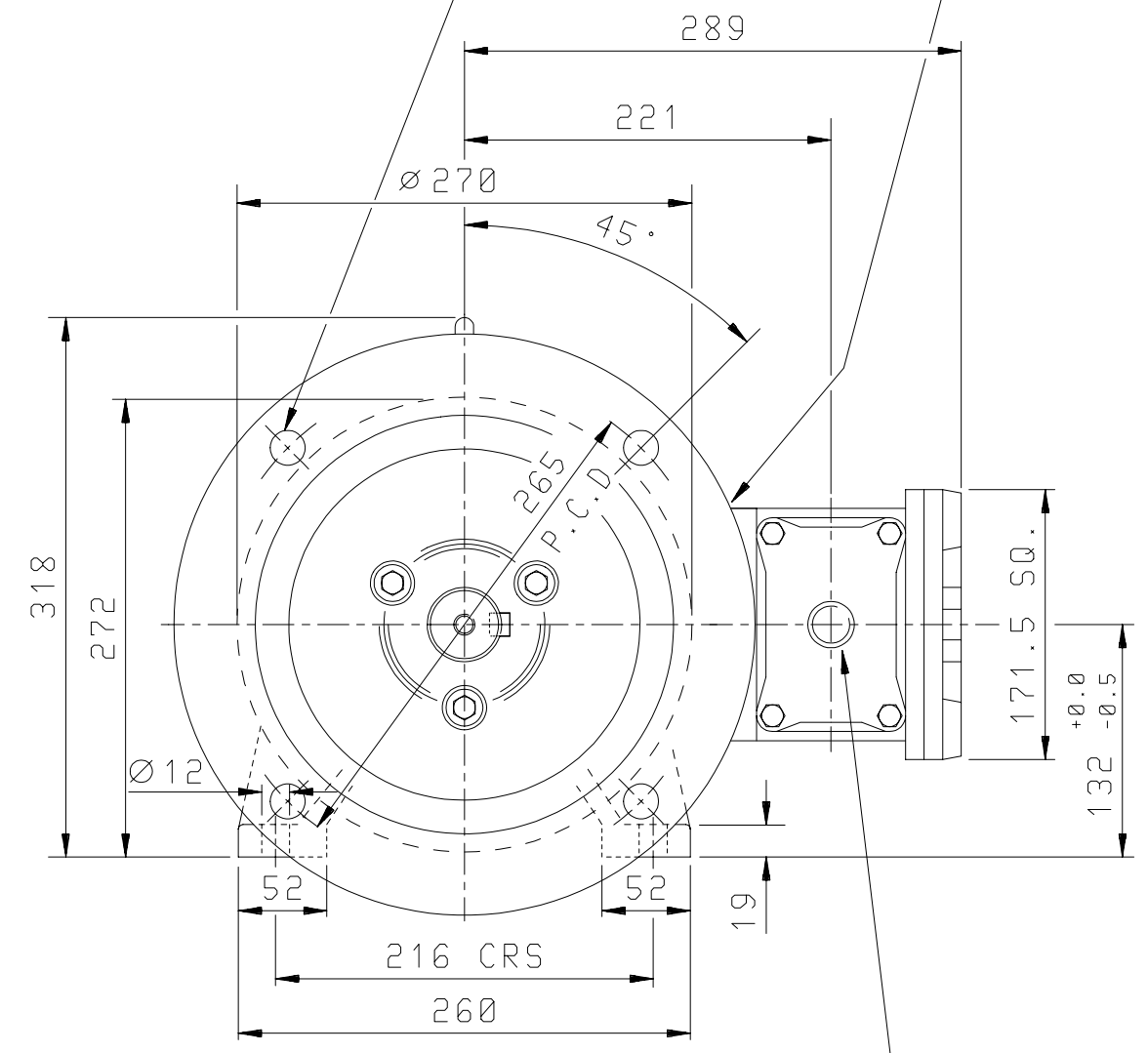
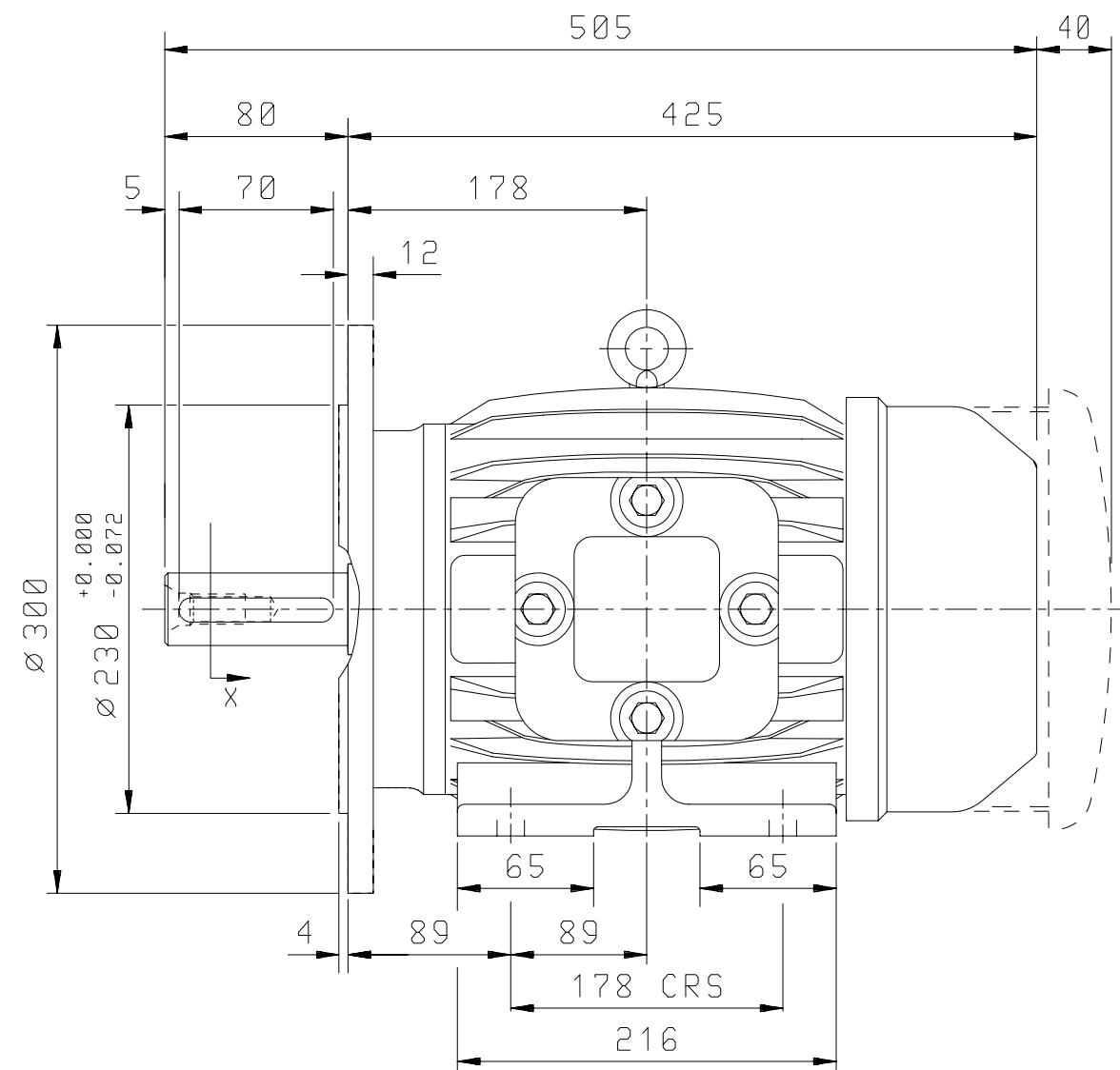


SECTION ON 'X'

DRIP-PROOF COWL FITTED ON ALL VERTICAL SHAFT DOWN MOTORS OR WHEN REQUESTED

4-HOLES DRILLED $\varnothing 15$ EQUALLY SPACED AS SHOWN

EXTERNAL EARTH POSITION



1xCM25 CABLE ENTRY TO SUIT COMPRESSION GLAND

CUSTOMER		
ORDER No.		
PART No.		
OUR ORDER No.		
FRAME SIZE		
KW.	RPM.	
Hz	PHASE	
VOLTS	POLES	
BRGS.	DE.	NDE.
MOTOR NETT WT.	Kg.	
SPECIAL REMARKS		

ALL DIMENSIONS IN MILLIMETRES



BROOK CROMPTON

Huddersfield, HD1 3LJ
 ENGLAND

SHEET SIZE A3	TITLE	OUTLINE DIMENSION DRAWING 'W' FLAMEPROOF TOTALLY ENCLOSED FAN COOLED EExd 132M FRAME FOOT & 'D' FLANGE MOUNTED MOTOR GROUPS IIA & IIB	NAME	DATE
	DRAWN		DH	25-04-03
	CHECKED		RR	25-04-03
	SCALE		N.T.S	

DRG. No.	K14GD002/0		
DRG. REF.	-----		
REVISION:		DATE	