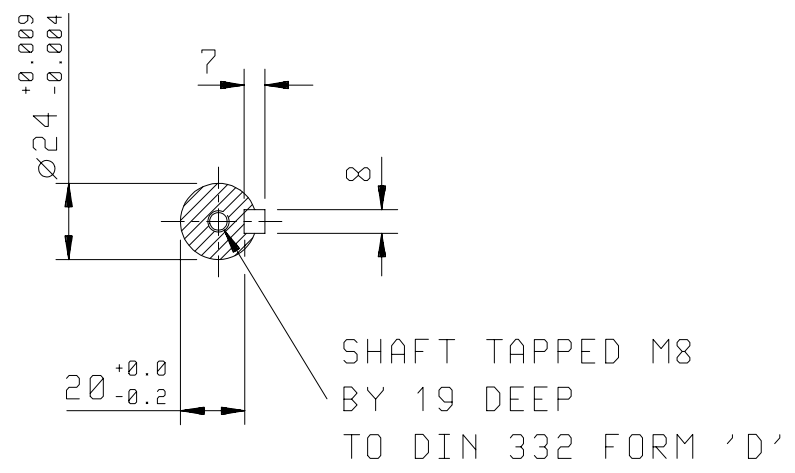


DRG. No. K93GD001/0
 DRG. REF.

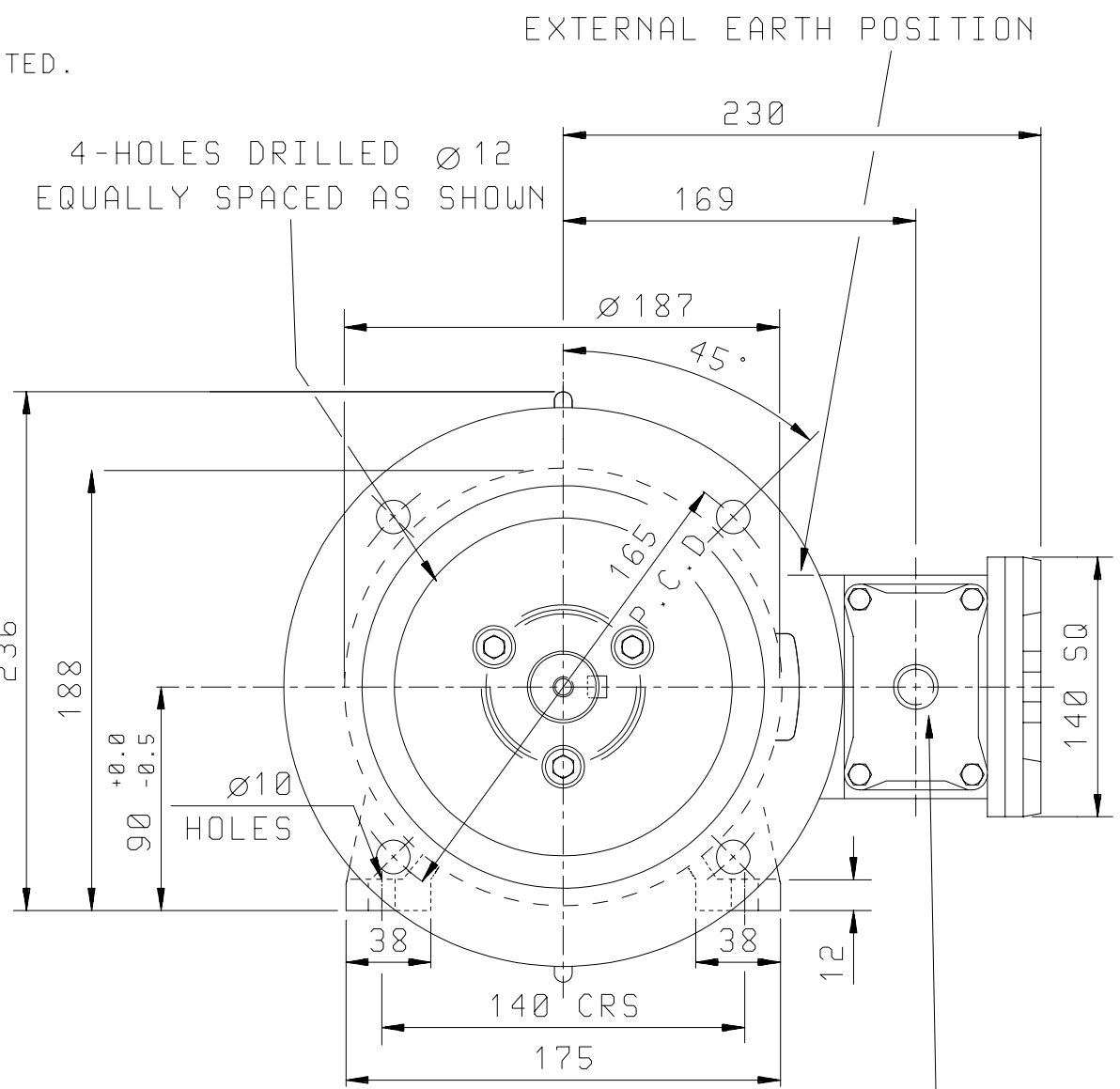
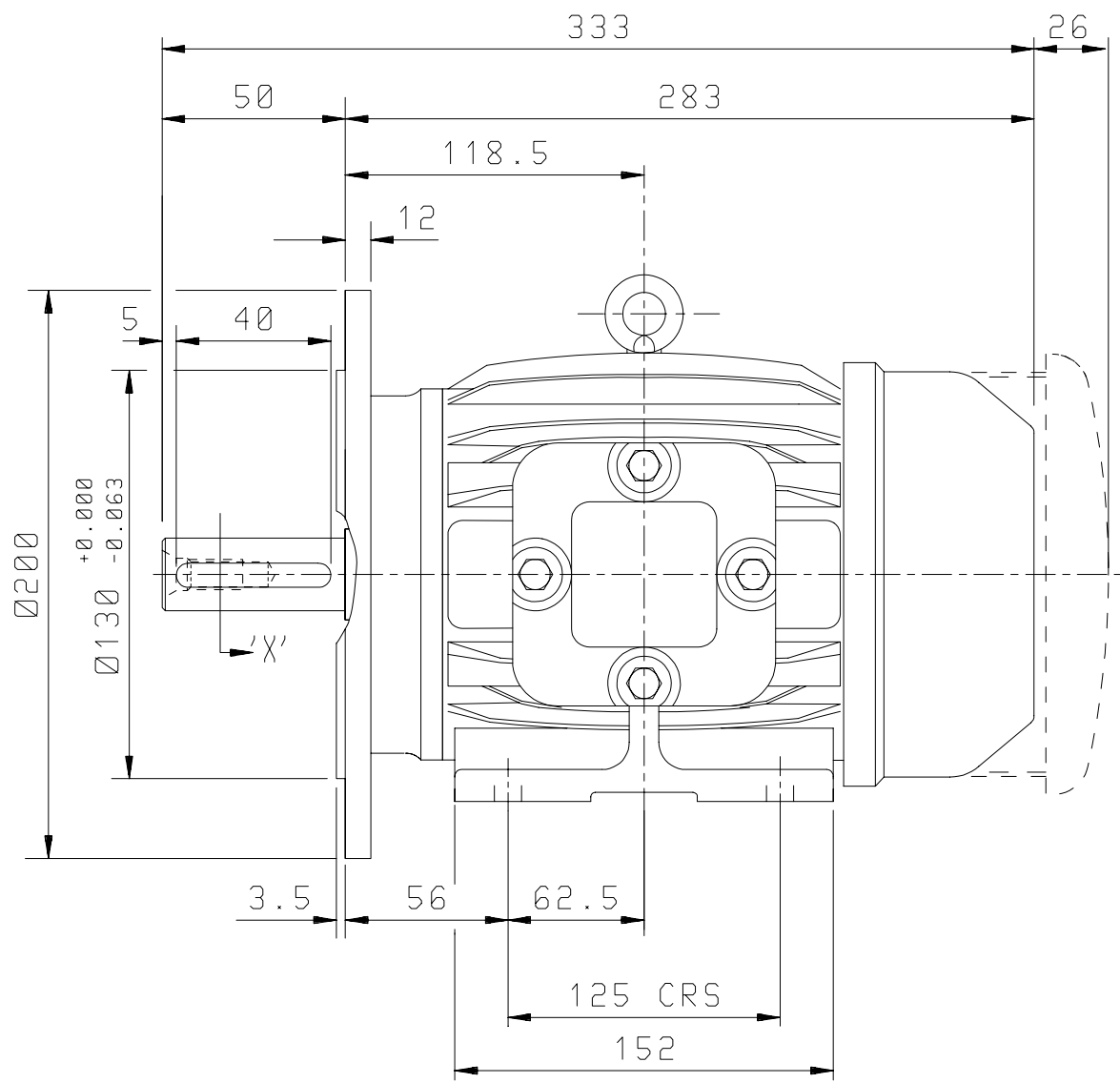


SECTION ON 'X'

DRIP-PROOF COWL FITTED ON ALL VERTICAL SHAFT DOWN MOTORS & ALL MOTORS WITH CAST IRON FAN COVERS, OR WHEN REQUESTED.

CABLE ENTRY POSITION SHOWN IS FOR ILLUSTRATION ONLY, TERMINAL BOX CAN BE ROTATED THROUGH 90° INTERVALS.

NOTE!! ON E90S/L THE TERMINAL BOX POSITION IS NOT AS SHOWN BUT IS OFFSET 12.7mm ABOVE THE Q OF THE MOTOR.



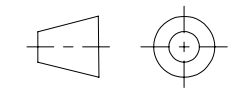
EXTERNAL EARTH POSITION

4-HOLES DRILLED Ø 12 EQUALLY SPACED AS SHOWN

1 CONDUIT ENTRY TAPPED M20 TO SUIT COMPRESSION GLAND

CUSTOMER		
ORDER No.		
PART No.		
OUR ORDER No.		
FRAME SIZE		
KW.	RPM.	
Hz	PHASE	
VOLTS	POLES	
BRGS.	DE.	NDE.
MOTOR NETT WT.		Kg.
SPECIAL REMARKS		

ALL DIMENSIONS IN MILLIMETRES.



FIRST ANGLE PROJECTION

BROOK CROMPTON

Huddersfield, HD1 3LJ ENGLAND

SHEET SIZE A3	TITLE	OUTLINE DIMENSION DRAWING 'W' FLAMEPROOF TOTALLY ENCLOSED FAN COOLED EExd 90L FRAME FOOT & FLANGE MOUNTED MOTOR GROUPS IIA & IIB	NAME	DATE
			UVR	18-11-03
			DH	18-11-03
			N.T.S	

DRG. No.	K93GD001/0	
DRG. REF.		
REVISION:		DATE