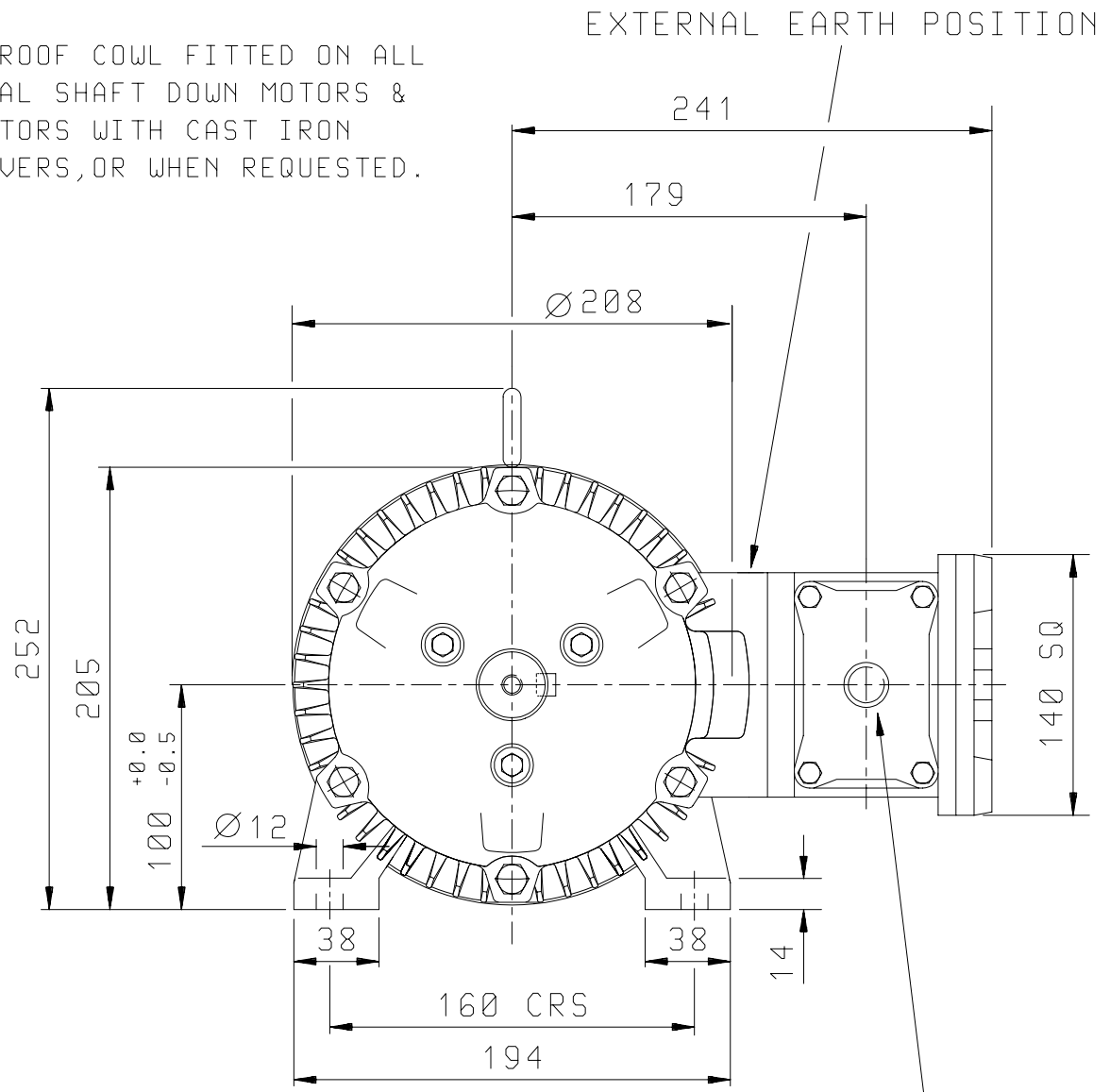
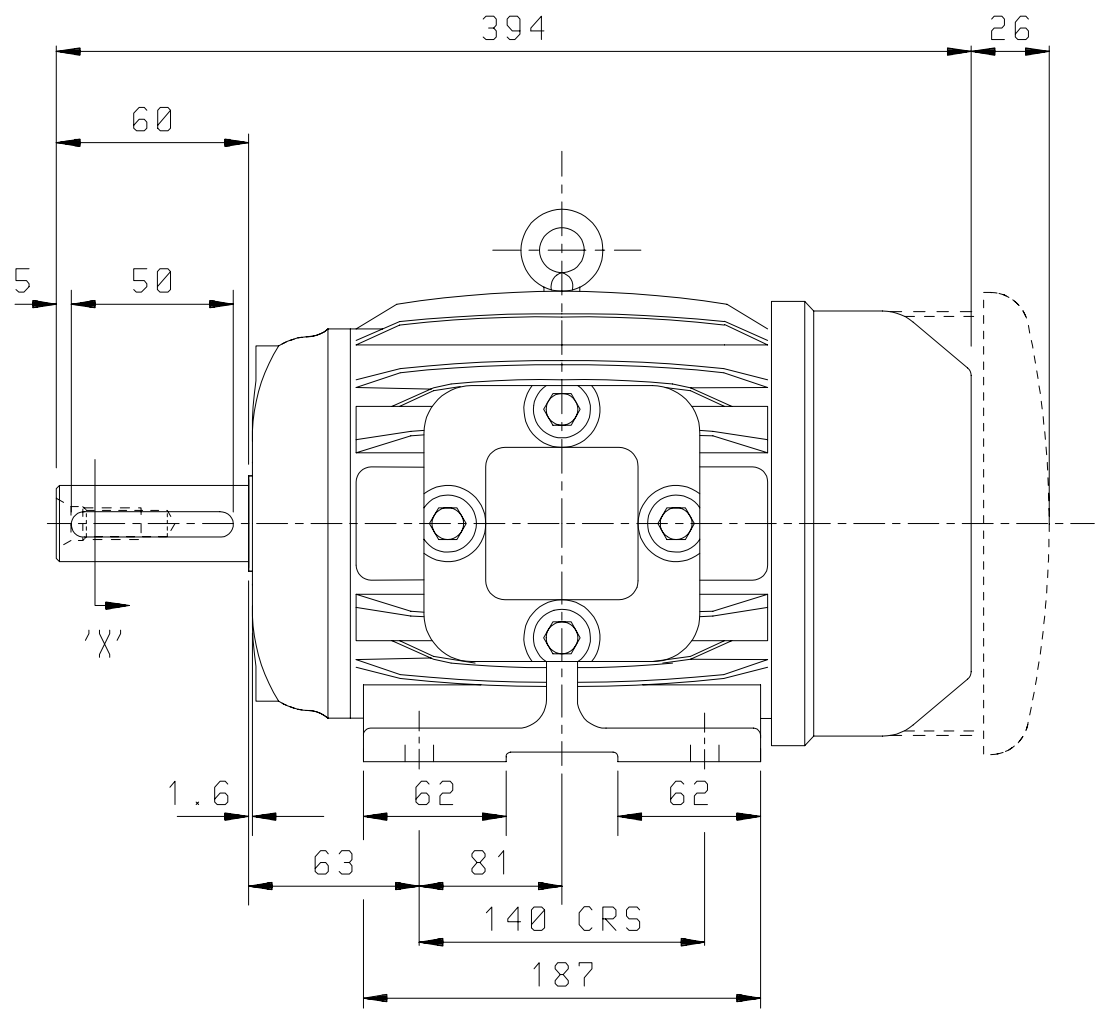


SECTION ON 'X'

CABLE ENTRY POSITION SHOWN IS FOR ILLUSTRATION ONLY, TERMINAL BOX CAN BE ROTATED THROUGH 90° INTERVALS.

DRIP-PROOF COWL FITTED ON ALL VERTICAL SHAFT DOWN MOTORS & ALL MOTORS WITH CAST IRON FAN COVERS, OR WHEN REQUESTED.



1 - CONDUIT ENTRY TAPPED M20 TO SUIT COMPRESSION GLAND

CUSTOMER		
ORDER No.		
PART No.		
OUR ORDER No.		
FRAME SIZE		
KW.	RPM.	
Hz	PHASE	
VOLTS	POLES	
BRGS.	DE.	NDE.
MOTOR NETT WT.	Kg.	
SPECIAL REMARKS		

ALL DIMENSIONS IN MILLIMETRES



BROOK CROMPTON

Huddersfield, HD1 3LJ
 ENGLAND

SHEET SIZE A3	TITLE	OUTLINE DIMENSION DRAWING 'W' FLAMEPROOF TOTALLY ENCLOSED FAN COOLED EExd 100L FRAME FOOT MOUNTED MOTOR GROUPS IIA & IIB	NAME	DATE	
			DRAWN	ULS	26-03-03
			CHECKED	RR	26-03-03
			SCALE	N.T.S	

DRG. No.	K10GF001/0		
DRG. REF.			
REVISION:		DATE	