

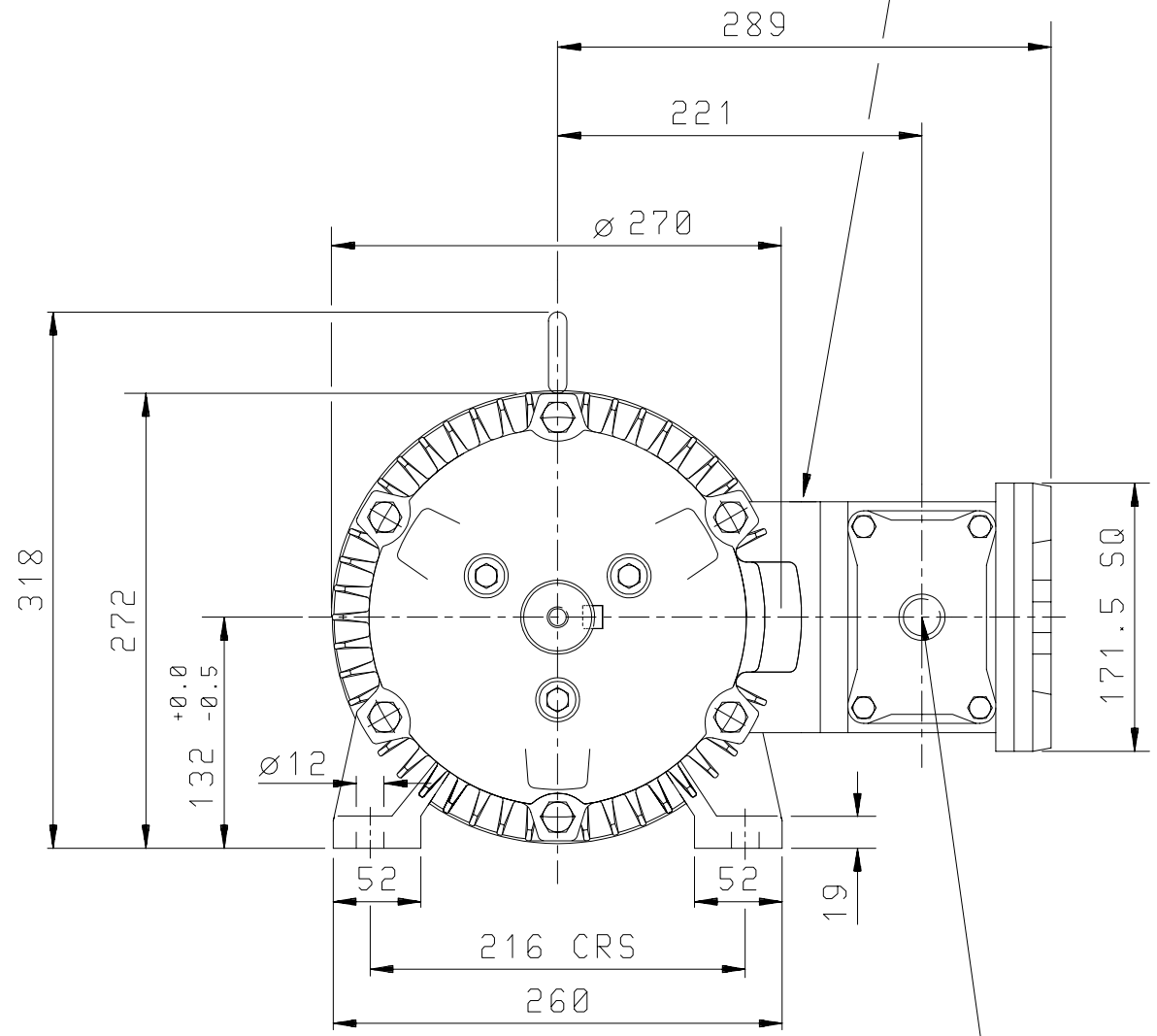
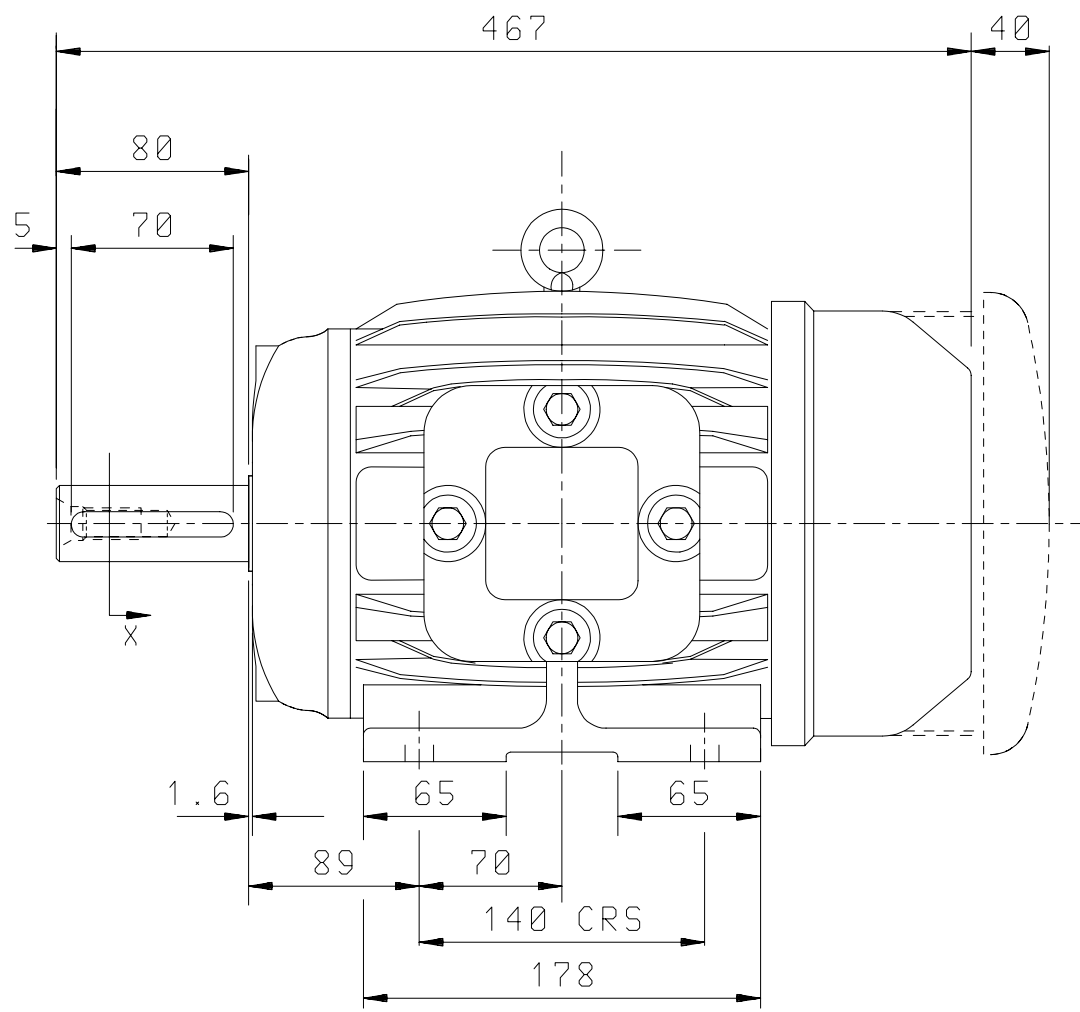
SHAFT TAPPED M12
 BY 28 DEEP
 TO DIN 332 FORM 'D'

CABLE ENTRY POSITION SHOWN IS FOR
 ILLUSTRATION ONLY, TERMINAL BOX CAN
 BE ROTATED THROUGH 90° INTERVALS.

DRIP-PROOF COWL FITTED ON ALL
 VERTICAL SHAFT DOWN MOTORS &
 ALL MOTORS WITH CAST IRON
 FAN COVERS, OR WHEN REQUESTED.

SECTION ON 'X'

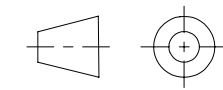
EXTERNAL EARTH POSITION



1 - CONDUIT ENTRY
 TAPPED M25 TO SUIT
 COMPRESSION GLAND

CUSTOMER		
ORDER No.		
PART No.		
OUR ORDER No.		
FRAME SIZE		
KW.	RPM.	
Hz	PHASE	
VOLTS	POLES	
BRGS.	DE.	NDE.
MOTOR NETT WT.	Kg.	
SPECIAL REMARKS		

ALL DIMENSIONS IN MILLIMETRES



FIRST ANGLE
 PROJECTION

**BROOK
 CROMPTON**

Huddersfield, HD1 3LJ
 ENGLAND

SHEET SIZE A3	TITLE	OUTLINE DIMENSION DRAWING 'W' FLAMEPROOF TOTALLY ENCLOSED FAN COOLED EEXD 132S FRAME FOOT MOUNTED MOTOR GROUPS IIA & IIB	NAME	DATE
			ULS	26-03-03
			RR	26-03-03
			N.T.S	

DRG. No.	K13GF001/0		
DRG. REF.			
REVISION:		DATE	