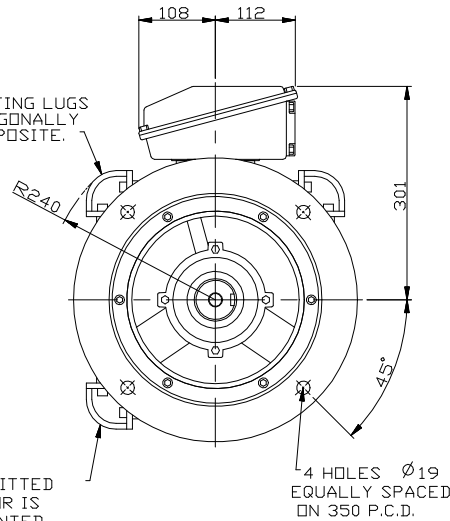


2 LIFTING LUGS  
DIAGONALLY  
OPPOSITE.

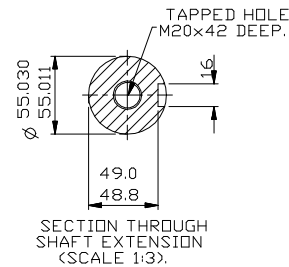


THIS LIFTING LUG FITTED  
ONLY WHEN MOTOR IS  
VERTICALLY MOUNTED.

4 HOLES  $\phi 19$   
EQUALLY SPACED  
ON 350 P.C.D.

NOTE:-  
CABLE ENTRY CAN BE  
SUPPLIED IN ANY ONE OF FOUR  
POSITIONS AT 90 ° INTERVALS.

NOTE:-  
STANDARD MACHINES ARE ARRANGED FOR HORIZONTAL OVERHUNG MOUNTING.  
CUSTOMERS SHOULD NOTIFY US WHEN ORDERING IF VERTICAL MOUNTING  
IS REQUIRED. IF VERTICAL, THE MOTOR THRUST BEARING MUST NOT BE  
ALLOWED TO TAKE ANY LOAD OTHER THAN THE WEIGHT OF THE ROTOR  
WITHOUT OUR APPROVAL.



SECTION THROUGH  
SHAFT EXTENSION  
(SCALE 1:3).

CUSTOMER	
ORDER No.	
SERIAL No.	
FRAME SIZE	
KW	R.P.M.
Hz	PHASE 3
VOLTS	POLES
BRGS.	D.E. N.D.E
MOTOR NETT. WT.	Kg.
INSULATION CLASS	
TEMPERATURE RISE °C	
DESIGN AMBIENT TEMPERATURE °C	
HEATER WATTS & VOLTS (IF FITTED)	
- WATTS, - VOLTS	

REMARKS

Large Industrial Motors  
Guiseley, LEEDS LS20 9NZ

ALL DIMENSIONS IN MILLIMETRES

FIRST ANGLE  
PROJECTION

Large Industrial Motors  
GUISELEY, LEEDS, LS20 9NZ.

NOTE!  
2.5 ENDPLAY WILL BE PROVIDED FOR ENDTHRUST  
PROTECTION WHEN CUSTOMERS NOTIFY US OF THEIR  
INTENTION TO USE RIGID COUPLINGS AND DRIVEN  
MACHINES WITHOUT ENDPLAY.

OUTLINE DIMENSIONS OF STANDARD FLANGE MOUNTED METRIC A.C.  
TOTALLY ENCLOSED FAN VENTILATED,  
F RAME SIZE: W-DF200LX-D (ALL POLES).

SCALE	1:6	DATE
DRAWN	M.E	26.6.99
CHECKED	J.M.L	26.6.99
APPROVED	J.M.L	26.6.99

DRG. No.	M21601
REVISION:	