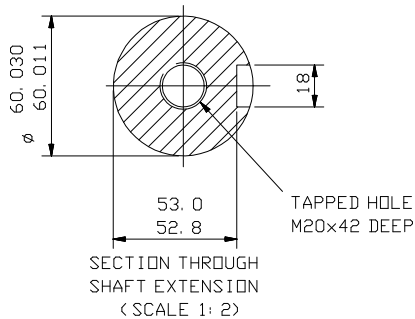


THIS LIFTING LUG FITTED ONLY WHEN MOTOR IS VERTICALLY MOUNTED.

NOTE: -  
CABLE ENTRY CAN BE SUPPLIED IN ANY ONE OF FOUR POSITIONS AT 90° INTERVALS.



NOTE: -  
STANDARD MACHINES ARE ARRANGED FOR HORIZONTAL OVERHUNG MOUNTING. CUSTOMERS SHOULD NOTIFY US WHEN ORDERING IF VERTICAL MOUNTING IS REQUIRED. IF VERTICAL, THE MOTOR THRUST BEARING MUST NOT BE ALLOWED TO TAKE ANY LOAD OTHER THAN THE WEIGHT OF THE ROTOR WITHOUT OUR APPROVAL.

CUSTOMER		
ORDER No.		
SERIAL No.		
FRAME SIZE		
kW	RPM.	
Hz	PHASE 3	
VOLTS	POLES	
BRGS.	DE.	NDE.
MOTOR NETT. WT. Kg.		
INSULATION CLASS		
TEMPERATURE RISE °C		
DESIGN AMBIENT TEMPERATURE °C		
HEATER WATTS & VOLTS		
WATTS,		VOLTS

REMARKS

**BROOK CROMPTON**  
PRELIMINARY

Large Industrial Motors  
Guiseley, LEEDS LS20 9NZ

ALL DIMENSIONS IN MILLIMETRES



**BROOK CROMPTON**

Large Industrial Motors  
GUISELEY, LEEDS, LS20 9NZ.

NOTE 1  
2.5 ENDPLAY WILL BE PROVIDED FOR ENDTHRUST PROTECTION WHEN CUSTOMERS NOTIFY US OF THEIR INTENTION TO USE RIGID COUPLINGS AND DRIVEN MACHINES WITHOUT ENDPLAY.

OUTLINE DIMENSIONS OF STANDARD FLANGE MOUNTED METRIC A. C. MOTOR  
TOTALLY ENCLOSED FAN VENTILATED.  
FITTED WITH TOP MOUNTED TERMINAL BOX  
FRAME SIZE : - W-DF250M-D (2 POLE)

SCALE	1:7	DATE
DRAWN	B.J.T.	13.3.92
CHECKED	B.J.T.	13.3.92
APPROVED	I.J.W.	13.3.92

DRG. No.	M8713		
REVISION:	A	DATE	BJT 21.4.93