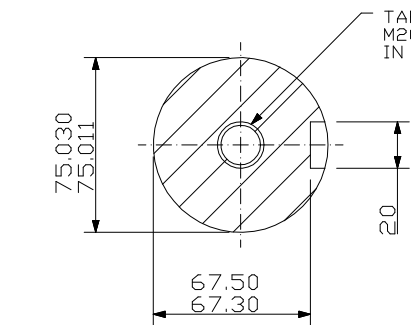
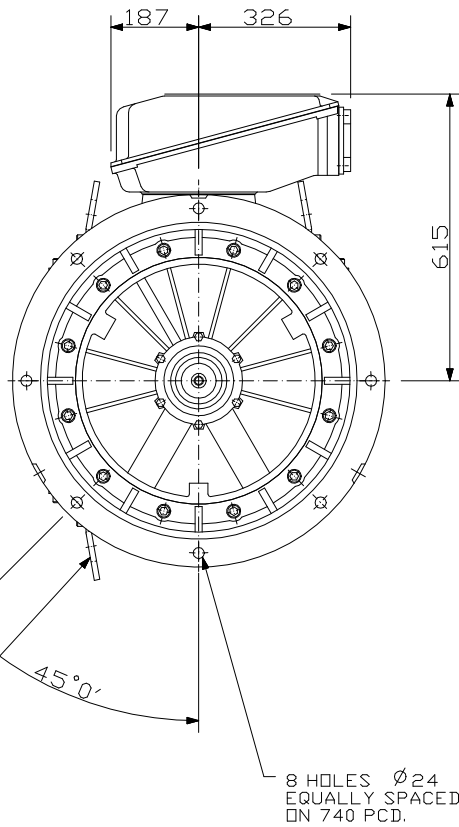


NOTE!
CABLE ENTRY CAN BE SUPPLIED
IN ANY ONE OF FOUR POSITIONS
AT 90° INTERVALS.



TAPPED HOLE
M20 X 42 DEEP
IN SHAFT END.

THIS LIFTING LUG FITTED
ONLY WHEN MOTOR IS
VERTICALLY MOUNTED.

NOTE!
STANDARD MACHINES ARE ARRANGED FOR HORIZONTAL OVERHUNG MOUNTING.
CUSTOMERS SHOULD NOTIFY US WHEN ORDERING IF VERTICAL MOUNTING IS
REQUIRED. IF VERTICAL, THE MOTOR THUST BEARING MUST NOT BE ALLOWED
TO TAKE ANY LOAD OTHER THAN THE WEIGHT OF THE ROTOR WITHOUT OUR APPROVAL.

CUSTOMER	
ORDER No.	
SERIAL No.	
FRAME SIZE	
KW	R.P.M.
Hz	PHASE 3
VOLTS	POLES
BRGS.	D.E. N.D.E
MOTOR NETT. WT.	Kg.
INSULATION CLASS	
TEMPERATURE RISE °C	
DESIGN AMBIENT TEMPERATURE °C	
HEATER WATTS & VOLTS (IF FITTED)	
- WATTS,	- VOLTS

REMARKS



ALL DIMENSIONS IN MILLIMETRES



Large Industrial Motors
GUISELEY, LEEDS, LS20 9NZ.

NOTE!
25 ENDPLAY WILL BE PROVIDED FOR ENDTHRUST
PROTECTION WHEN CUSTOMERS NOTIFY US OF THEIR
INTENTION TO USE RIGID COUPLINGS AND DRIVEN
MACHINES WITHOUT ENDPLAY.

OUTLINE DIMENSIONS OF STANDARD FLANGE MOUNTED
METRIC A.C. MOTOR
TOTALLY ENCLOSED FAN VENTILATED.
FRAME SIZE:- W-DF355M-D 2-POLE ONLY.

SCALE	1:10	DATE	
DRAWN	DHM.	12/6/97	
CHECKED	DHM.	12/6/97	
APPROVED	I.J.W.	12/6/97	

DRG. No.	M20813
REVISION:	DATE