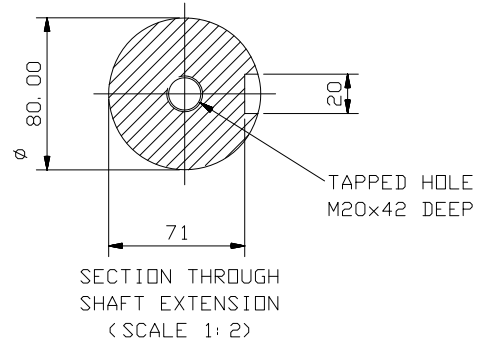


8 HOLES ϕ 24
EQUALLY SPACED
ON 600 P. C. D.

CUSTOMER		
ORDER No.		
SERIAL No.		
FRAME SIZE		
kw	RPM.	
Hz	PHASE 3	
VOLTS	POLES	
BRGS.	DE.	NDE.
MOTOR NETT. WT.		Kg.
INSULATION CLASS		
TEMPERATURE RISE		$^{\circ}$ C
DESIGN AMBIENT TEMPERATURE		$^{\circ}$ C
HEATER WATTS & VOLTS		WATTS, VOLTS

REMARKS



NOTE: -
TERMINAL BOX CAN BE SIDE MOUNTED
(LEFT OR RIGHT) BY REFITTING FEET
90 $^{\circ}$ IN APPROPRIATE DIRECTION.
CABLE ENTRY CAN BE SUPPLIED IN
ANY ONE OF FOUR POSITIONS AT
90 $^{\circ}$ INTERVALS.

ALL DIMENSIONS IN MILLIMETRES

FIRST ANGLE
PROJECTION

**BROOK
CROMPTON**

NOTE !
2.5 ENDPLAY WILL BE PROVIDED FOR ENDTHRUST
PROTECTION WHEN CUSTOMERS NOTIFY US OF THEIR
INTENTION TO USE RIGID COUPLINGS AND DRIVEN
MACHINES WITHOUT ENDPLAY.

OUTLINE DIMENSIONS OF STD. FOOT/FLANGE MOUNTED METRIC A. C. MOTOR
TO BS. 4999 PART 141. TOTALLY ENCLOSED FAN VENTILATED.
FITTED WITH TOP MOUNTED TERMINAL BOX
FRAME SIZE : - W-DF315M-H (4 POLE UP)

SCALE		DATE
DRAWN		
CHECKED		
APPROVED		

DRG. No.			
REVISION:	A	DATE	15.10.93