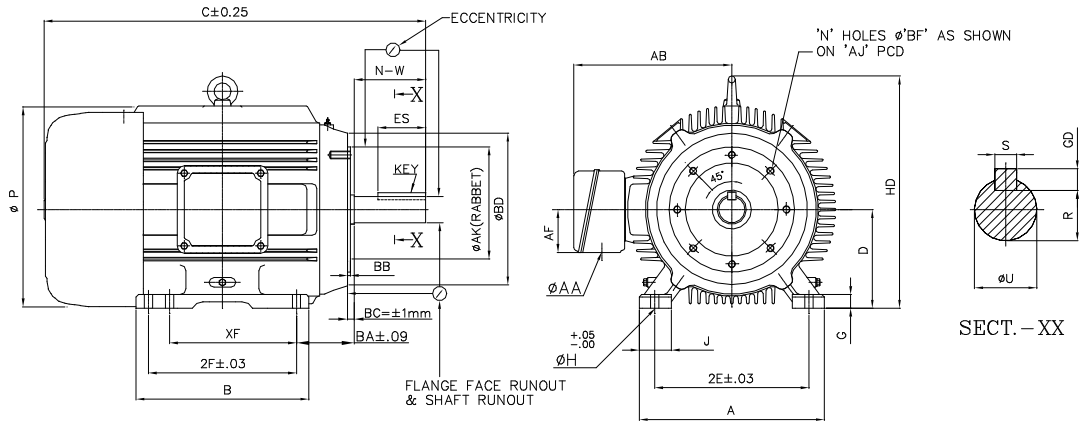


OUTLINE DIMENSION DRAWING FOR 3 PHASE SQUIRREL CAGE TEFC, CAST IRON FOOT WITH FACE MOUNTED INDUCTION MOTORS CONFORMING TO NEMA MG1-2006



ALL DIMENSIONS ARE IN INCHES

FRAME	FACE FIXING					A	B	C	D	2E	2F	G	H	J	BA	P	HD	U	R	N-W	XF	KEY			AB	AF	AA
	AJ	AK	BBmax	BDmax	φBF																	S	GD	ES			
182TC	7.25	8.5	0.25	9.0	1/2-13	4	8.74	6.692	15.348	4.50	4.50	0.511	0.41	1.417	2.75	9.055	10.82	1.125	0.986	2.75	4.50	0.250	0.250	1.78	6.69	2.46	1
184TC							6.692	16.332	4.50	7.50	5.50																

CUSTOMER:-			kW/(HP):-		
P.O.No:-			FRAME:-		
ENQ./IND.No:-			RPM:-		
CONSULTANT/CLIENT:-			M/C.No:-		
	NAME	DATE	BROOK CROMPTON		
DRN.		6.3.08			
CHD.					
APPD.					
			DRG. No.		NEMA 18230
			SR. No.:01		