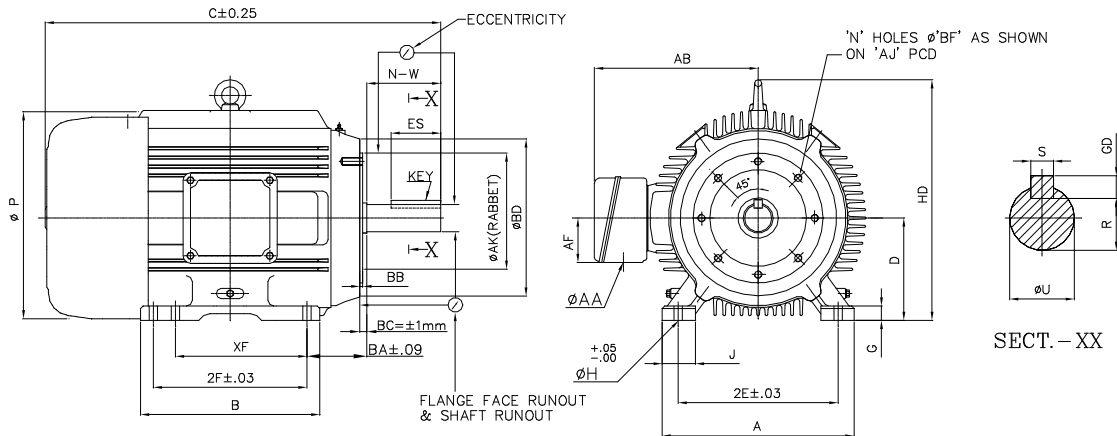


OUTLINE DIMENSION DRAWING FOR 3 PHASE SQUIRREL CAGE TEFC, CAST IRON FOOT WITH FACE MOUNTED INDUCTION MOTORS CONFORMING TO NEMA MG1-2006



ALL DIMENSIONS ARE IN INCHES

FRAME	FACE FIXING				N	A	B	C	D	2E	2F	G	H	J	BA	P	HD	U	R	N-W	XF	KEY			AB	AF	AA	
	AJ	AK	BBmax	BBmin																		S	GD	ES				
213TC	7.25	8.5	0.25	9.0	1/2-13	4	10.0	7.00	18.734	5.25	8.50	5.50	0.629	0.41	1.889	3.50	10.62	12.59	1.375	1.201	3.38	5.50	0.312	0.312	2.41	7.48	2.46	1
215TC																												

CUSTOMER:-			kW/(HP):-		
P.□No.:-			FRAME:-		
ENG./IND.No.:-			RPM:-		
CONSULTANT/CLIENT:-			M/C.No.:-		
DRN.	NAME	DATE	<b>BROOK CROMPTON</b>		
CHD.		6.3.08			
APPD.					
			DRG. No.		NEMA 21330
			SR. No.:01		