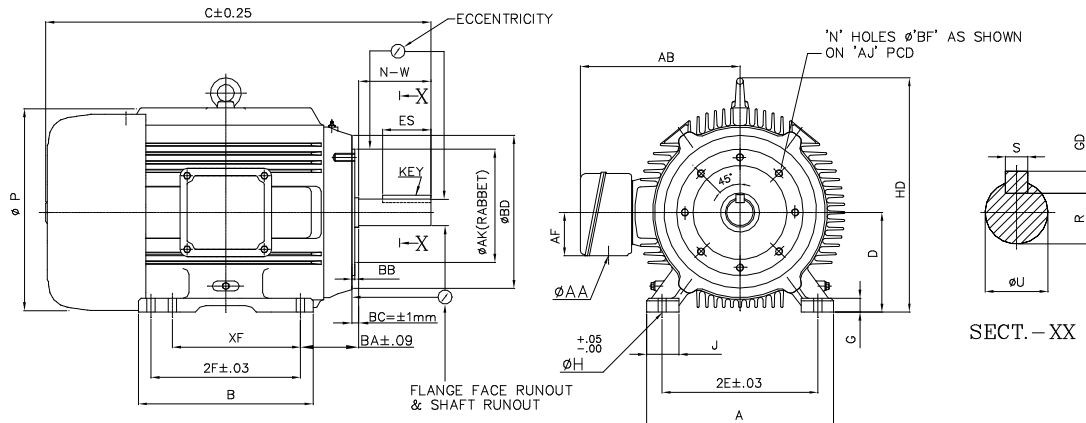


OUTLINE DIMENSION DRAWING FOR 3 PHASE SQUIRREL CAGE TEFC, CAST IRON FOOT WITH FACE MOUNTED INDUCTION MOTORS CONFORMING TO NEMA MG1-2006



ALL DIMENSIONS ARE IN INCHES

FRAME	FACE FIXING				N	A	B	C	D	2E	2F	G	H	J	BA	P	HD	U	R	N-W	XF	KEY			AB	AF	AA
	AJ	AK	BBmax	BDmax																		S	GD	ES			
254TC	7.25	8.5	0.25	10	1/2-13	4	12.125	11.75	24.0	6.25	10.00	0.875	0.55	2.87	4.25	12.52	14.8	1.625	1.416	4.00	8.25	0.375	0.375	2.91	10.48	2.83	1.5
256TC									25.7		10.00																

CUSTOMER:-			kW/(HP):-		
P.O.No.:-			FRAME:-		
ENQ./IND.No.:-			RPM:-		
CONSULTANT/CLIENT:-			M/C.No.:-		
	NAME	DATE	<b>BROOK CROMPTON</b>		
DRN.		6.3.08			
CHD.					
APPD.					
			DRG. No.		NEMA 25430
			SR. No.:01		
			REV. No.:01		