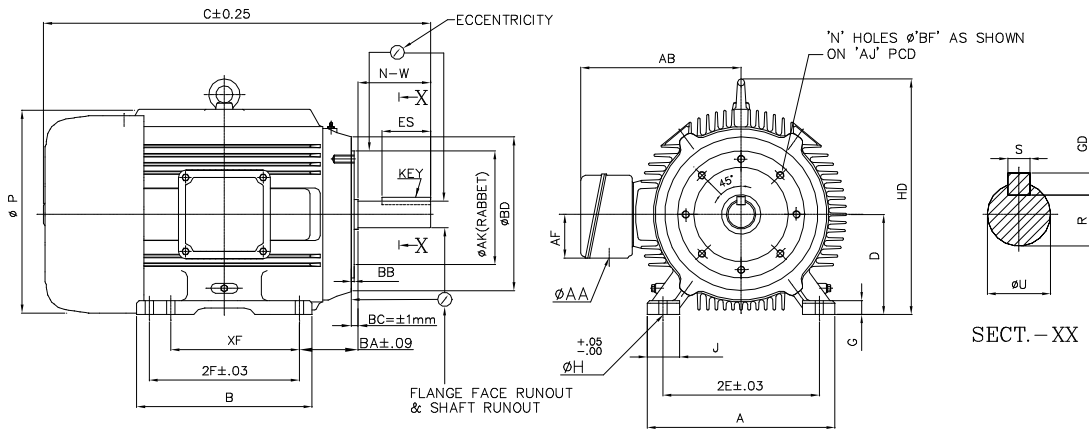


OUTLINE DIMENSION DRAWING FOR 3 PHASE SQUIRREL CAGE TEFC, CAST IRON FOOT WITH FACE MOUNTED INDUCTION MOTORS CONFORMING TO NEMA MG1-2006



ALL DIMENSIONS ARE IN INCHES

FRAME	FACE FIXING						A	B	C	D	2E	2F	G	H	J	BA	P	HD	U	R	N-W	XF	KEY			AB	AF	AA
	AJ	AK	BB max	BD max	φBF	N																	S	GD	ES			
284TCS	9.0	10.5	0.25	11.25	1/2-13	4	13.70	12.75	25.5	7.00	11.00	9.50	0.875	0.55	3.3	4.75	13.86	16.5	1.625	1.416	3.25	—	0.375	0.375	1.91	11.25	2.83	1.5
284TC									26.94										1.875	1.591	4.62	—	0.500	0.500	3.28			

CUSTOMER:-			kW/(HP):-		
P.O.No.:-			FRAME:-		
ENQ./IND.No.:-			RPM:-		
CONSULTANT/CLIENT:-			M/C.No.:-		
DRN.	NAME	DATE	BROOK CROMPTON		
CHD.		6.3.08			
APPD.					
			DRG. No.		NEMA 28430
			SR. No.:01		REV. No.:00