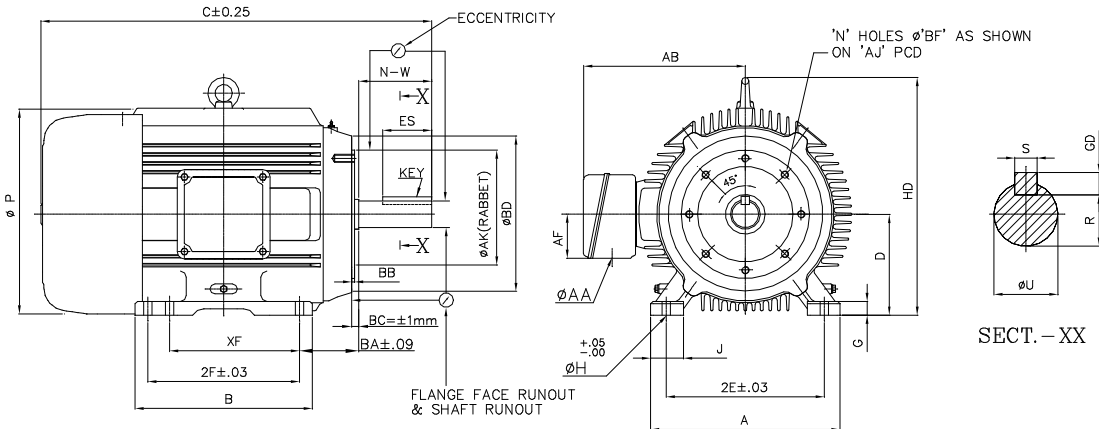


OUTLINE DIMENSION DRAWING FOR 3 PHASE SQUIREL CAGE TEFC, CAST IRON FOOT WITH FACE MOUNTED INDUCTION MOTORS CONFORMING TO NEMA MG1-2006



ALL DIMENSIONS ARE IN INCHES

FRAME	FACE FIXING							A	B	C	D	2E	2F	G	H	J	BA	P	HD	U	R	N-W	XF	KEY			AB	AF	AA
	AJ	AK	BB _{max}	BD _{max}	øBF	N	S																	GB	ES				
365TCS	11	12.5	0.25	14	5/8-11	8	16.73	15.75	33.00	9.00	14.00	12.25	1.00	0.66	2.75	5.88	18.50	21.02	1.875	1.591	3.75	11.25	0.500	0.500	2.03	15.98	5.35	2	
365TC									35.01										2.375	2.021	5.88		0.625	0.625	4.28				

CUSTOMER:-	kW/(HP):-
P.D.No.:-	FRAME:-
ENQ./IND.No.:-	RPM:-
CONSULTANT/CLIENT:-	M/C.No.:-

	NAME	DATE
DRN.		6.3.08
CHD.		
APPD.		

BROOK CROMPTON

DRG. No.
NEMA 36530
 SR. No.:01 REV. No.:00