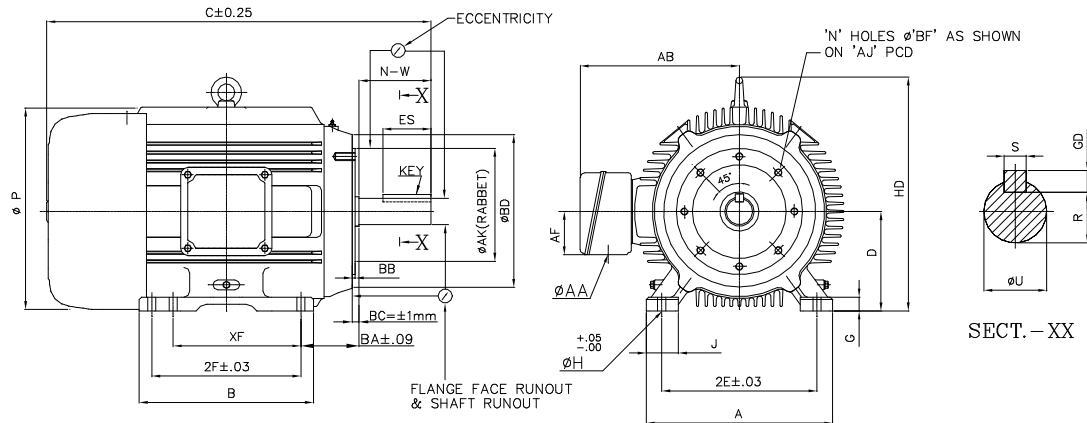


OUTLINE DIMENSION DRAWING FOR 3 PHASE SQUIRREL CAGE TEFC, CAST IRON FOOT WITH FACE MOUNTED INDUCTION MOTORS CONFORMING TO NEMA MG1-2006



ALL DIMENSIONS ARE IN INCHES

FRAME	FACE FIXING							A	B	C	D	2E	2F	G	H	J	BA	P	HD	U	R	N-W	XF	KEY			AB	AF	AA
	AJ	AK	BB max	BD max	φF	N	S																	ES	ES				
405TCS	11	12.5	0.25	15.5	5/8-11	8	19.0	17.75	37.2	10.00	16.00	13.75	1.25	0.81	3.15	6.62	19.68	23.54	2.125	1.845	4.25	12.25	0.500	0.500	2.78	17.08	5.35	3	
405TC									40.2										2.875	2.450	7.25		0.75	0.75	5.65				

CUSTOMER:-			kW/(HP):-		
P.D.No.:-			FRAME:-		
ENQ./IND.No.:-			RPM:-		
CONSULTANT/CLIENT:-			M/C.No.:-		
DRN.	NAME	DATE	BROOK CROMPTON		
CHD.		6.3.08			
APPD.					
			DRG. No.		NEMA 40530
			SR. No.:01		

MACHINE DIVN.3(A4-210x297)