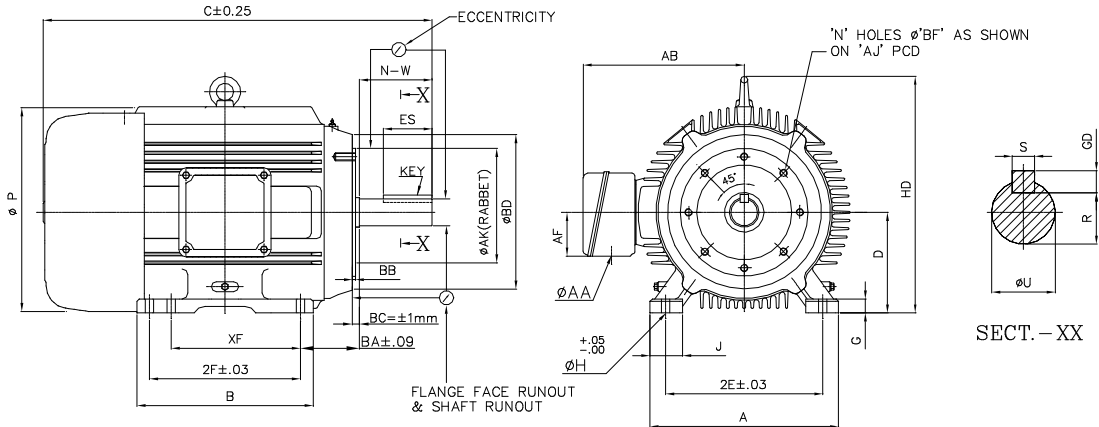


OUTLINE DIMENSION DRAWING FOR 3 PHASE SQUIRREL CAGE TEFC, CAST IRON FOOT WITH FACE MOUNTED INDUCTION MOTORS CONFORMING TO NEMA MG1-2006



ALL DIMENSIONS ARE IN INCHES

FRAME	FACE FIXING						A	B	C	D	2E	2F	G	H	J	BA	P	HD	U	R	N-W	XF	KEY			AB	AF	AA
	AJ	AK	BB _{max}	BB _{min}	øBF	N																	S	G	ES			
444TCS	14	16.0	0.25	18.0	5/8-11	8	21.25	23.4	46.25	11.00	18.00	10.75	1.40	0.81	4.0	7.5	23.15	28.5	2.375	2.02	4.75	—	0.625	0.625	3.03	18.5	5.35	3
444TC									50.00			14.50							3.375	2.88	8.5		0.875	0.875	6.91			

CUSTOMER:-			kW/(HP):-		
P.O.No.:-			FRAME:-		
ENQ./IND.No.:-			RPM:-		
CONSULTANT/CLIENT:-			M/C.No.:-		
DRN.	NAME	DATE	BROOK CROMPTON		
CHD.		6.3.08			
APPD.					
			DRG. No.		NEMA 44430
			SR. No.:01		REV. No.:00