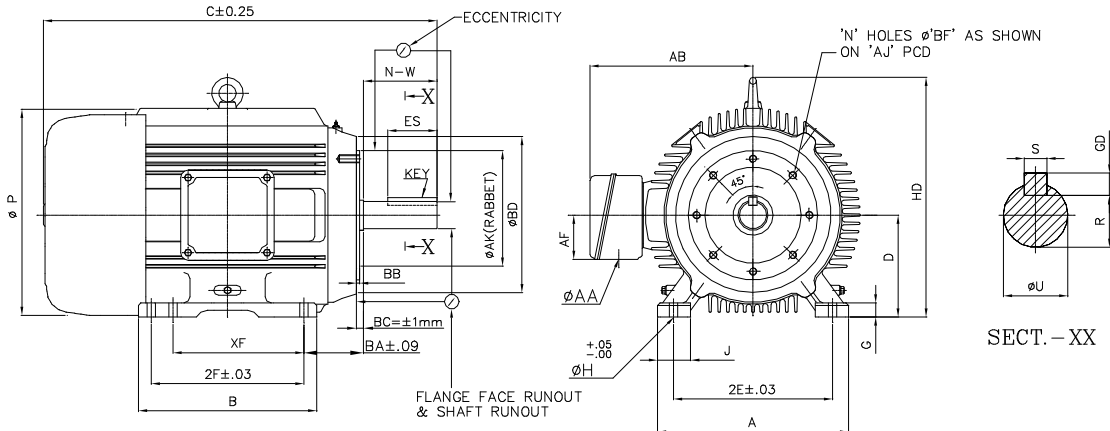


OUTLINE DIMENSION DRAWING FOR 3 PHASE SQUIRREL CAGE TEFC, CAST IRON FOOT WITH FACE MOUNTED INDUCTION MOTORS CONFORMING TO NEMA MG1-2006



ALL DIMENSIONS ARE IN INCHES

FRAME	FACE FIXING							A	B	C	D	2E	2F	G	H	J	BA	P	HD	U	R	N-W	XF	KEY			AB	AF	AA
	AJ	AK	BBmax	BDmax	BF	N	S																	GD	ES				
445TCS	14	16.0	0.25	18.0	5/8-11	8	21.25	23.4	46.25	50.00	11.00	18.00	12.75	1.40	0.81	4.0	7.5	23.15	28.5	2.375	2.02	4.75	—	0.625	0.625	3.03	18.5	5.35	3
445TC																				3.375	2.88	8.5		0.875	0.875	6.91			

CUSTOMER:-		kW/(HP):-	
P.O.No.:-		FRAME:-	
ENGR./IND.No.:-		RPM:-	
CONSULTANT/CLIENT:-		M/C.No.:-	
DRN.	NAME	DATE	<b>BROOK CROMPTON</b> DRG. No. <b>NEMA 44530</b> SR. No.:01      REV. No.:00
CHD.		6.3.08	
APPD.			