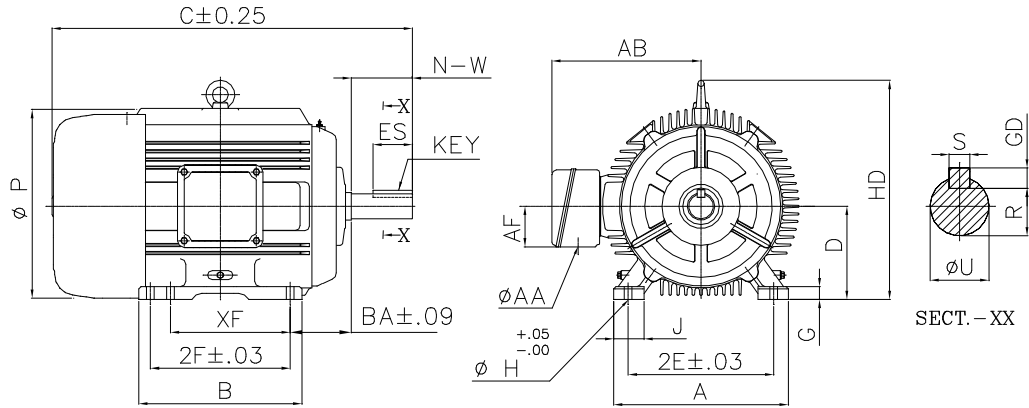


OUTLINE DIMENSION DRAWING FOR 3 PHASE SQUIRREL CAGE TEFC, CAST IRON
FOOT MOUNTED INDUCTION MOTORS CONFORMING TO NEMA MG1-2006



ALL DIMENSIONS ARE IN INCHES

FRAME	A	B	C	D	2E	2F	G	H	J	BA	P	HD	U	R	N-W	XF	KEY			AB	AF	AA
																	S	GD	ES			
143T		5.00	12.683	3.50	5.50	4.00	0.511	0.34	1.377	2.25	7.48	--	0.875	0.771	2.25	4.00	0.188	0.188	1.41	5.90	2.46	1
145T	6.614	5.984	13.667			5.00																

CUSTOMER:-			kW/(HP):-		
P.O.No.:-			FRAME:-		
ENQ./IND.No.:-			RPM:-		
CONSULTANT/CLIENT:-			M/C.No.:-		
DRN.	NAME	DATE	BROOK CROMPTON		
CHD.		6.3.08			
APPD.					
			DRG. No.		
			NEMA 14350		
			SR. No.:01		
			REV. No.:00		