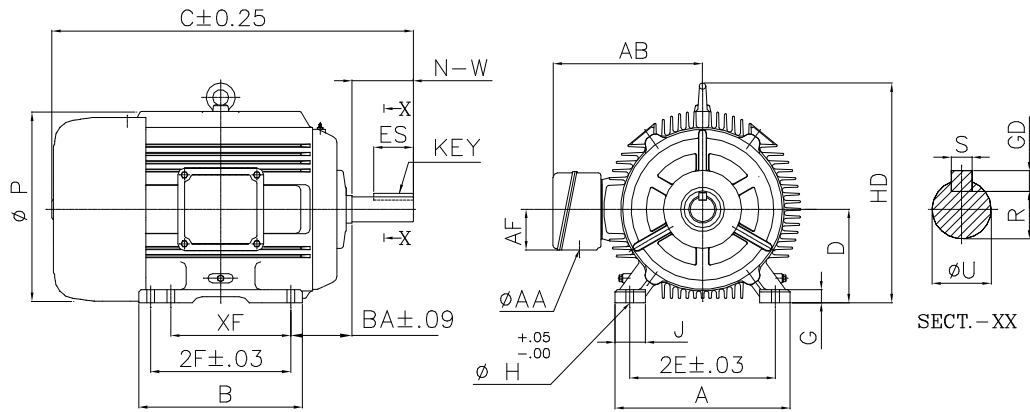


OUTLINE DIMENSION DRAWING FOR 3 PHASE SQUIRREL CAGE TEFC, CAST IRON  
FOOT MOUNTED INDUCTION MOTORS CONFORMING TO NEMA MG1-2006



ALL DIMENSIONS ARE IN INCHES

FRAME	A	B	C	D	2E	2F	G	H	J	BA	P	HD	U	R	N-W	XF	KEY			AB	AF	AA
																	S	GD	ES			
182T	8.74	6.692	15.348	4.50	7.50	4.50	0.511	0.41	1.417	2.75	9.055	10.82	1.125	0.986	2.75	4.50	0.250	0.250	1.78	6.69	2.46	1
184T		6.692	16.332			5.50																

CUSTOMER:-			kW/(HP):-		
P.O.No.:-			FRAME:-		
ENQ./IND.No.:-			RPM:-		
CONSULTANT/CLIENT:-			M/C.No.:-		
DRN.	NAME	DATE	<b>BROOK CROMPTON</b> DRG. No. NEMA 18250 SR. No.:01      REV. No.:00		
CHD.		6.3.08			
APPD.					