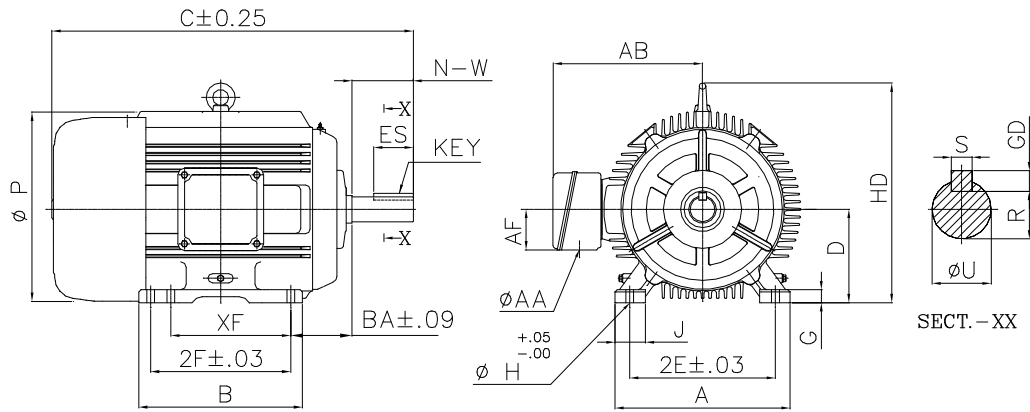


OUTLINE DIMENSION DRAWING FOR 3 PHASE SQUIRREL CAGE TEFC, CAST IRON  
FOOT MOUNTED INDUCTION MOTORS CONFORMING TO NEMA MG1-2006



ALL DIMENSIONS ARE IN INCHES

FRAME	A	B	C	D	2E	2F	G	H	J	BA	P	HD	U	R	N-W	XF	KEY			AB	AF	AA
																	S	GD	ES			
213T	10.0	7.00	18.734	5.25	8.50	5.50	0.629	0.41	1.889	3.50	10.62	12.59	1.375	1.201	3.38	5.50	0.312	0.312	2.41	7.48	2.46	1
215T		8.50	20.309			7.00																

CUSTOMER:-			kW/(HP):-		
P.O.No.:-			FRAME:-		
ENQ./IND.No.:-			RPM:-		
CONSULTANT/CLIENT:-			M/C.No.:-		
	NAME	DATE	<b>BROOK CROMPTON</b>		
DRN.		6.3.08			
CHD.					
APPD.					
			DRG. No. NEMA 21350		
			SR. No.:01      REV. No.:00		

MACHINE DIVN.3(A4-210x297)