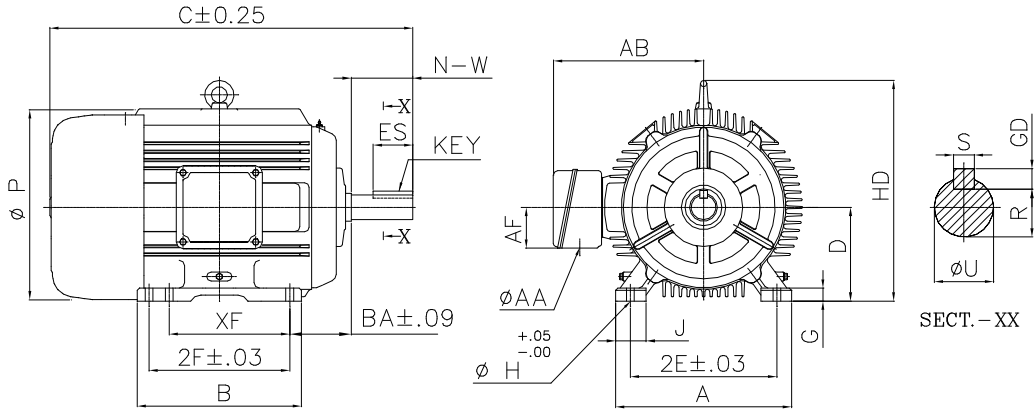


OUTLINE DIMENSION DRAWING FOR 3 PHASE SQUIRREL CAGE TEFC, CAST IRON
FOOT MOUNTED INDUCTION MOTORS CONFORMING TO NEMA MG1-2006



ALL DIMENSIONS ARE IN INCHES

FRAME	A	B	C	D	2E	2F	G	H	J	BA	P	HD	U	R	N-W	XF	KEY			AB	AF	AA
																	S	GD	ES			
286TS	13.70	12.75	27.0	7.00	11.00	11.00	0.875	0.55	3.3	4.75	13.86	16.5	1.625	1.416	3.25	9.50	0.375	0.375	1.91	11.25	2.83	1.5
286T			28.44										1.875	1.591	4.62		0.500	0.500	3.28			

CUSTOMER:-			kW/(HP):-		
P.O.No.:-			FRAME:-		
ENQ./IND.No.:-			RPM:-		
CONSULTANT/CLIENT:-			M/C.No.:-		
	NAME	DATE	BROOK CROMPTON		
DRN.		6.3.08			
CHD.					
APPD.					
			DRG. No.		
			NEMA 28650		
			SR. No.:01		
			REV. No.:00		