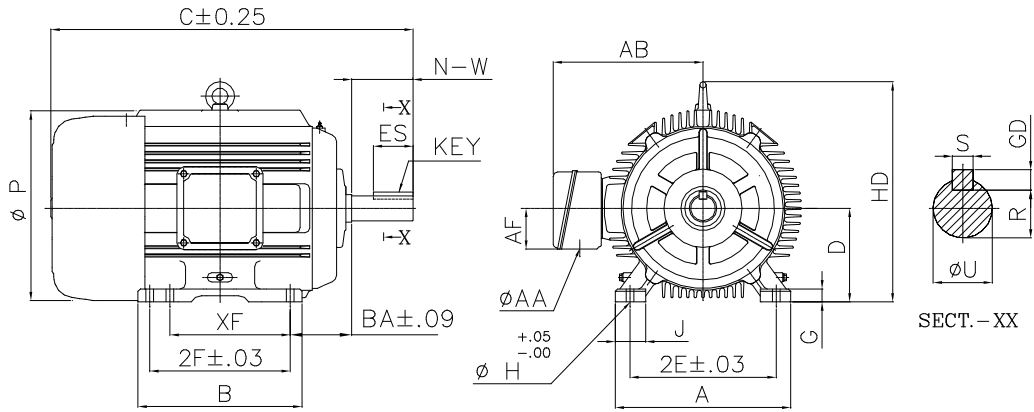


OUTLINE DIMENSION DRAWING FOR 3 PHASE SQUIRREL CAGE TEFC, CAST IRON
FOOT MOUNTED INDUCTION MOTORS CONFORMING TO NEMA MG1-2006



ALL DIMENSIONS ARE IN INCHES

FRAME	A	B	C	D	2E	2F	G	H	J	BA	P	HD	U	R	N-W	XF	KEY			AB	AF	AA	
																	S	GD	ES				
324TS			32.2	8.00	12.50	10.50	1.00	0.66	2.6	5.25	16.85	18.9	1.875	1.591	3.75	—	—	0.500	0.500	2.03	13.19	2.83	2
324T	15.0	14.0	33.7										2.125	1.845	5.25	—	—						

CUSTOMER:-			kW/(HP):-		
P.O.No.:-			FRAME:-		
ENQ./IND.No.:-			RPM:-		
CONSULTANT/CLIENT:-			M/C.No.:-		
DRN.	NAME	DATE	BROOK CROMPTON		
CHD.		6.3.08			
APPD.					
			DRG. No.		
			NEMA 32450		
			SR. No.:01		
			REV. No.:00		