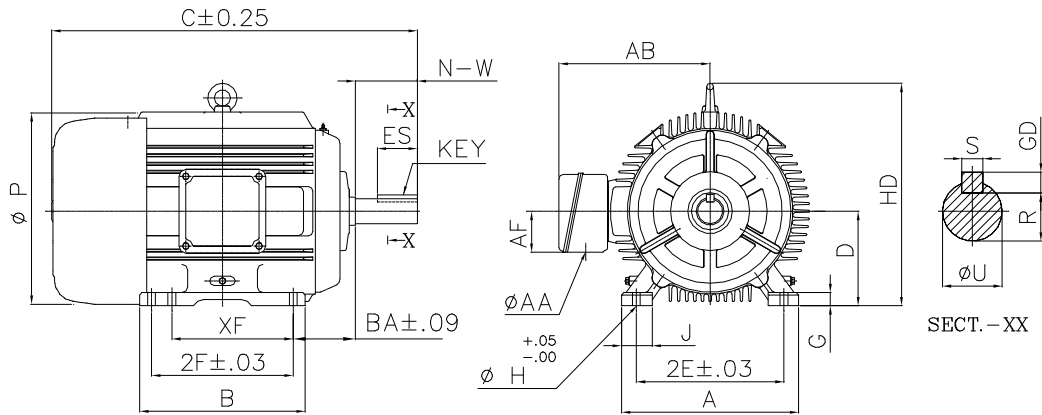


OUTLINE DIMENSION DRAWING FOR 3 PHASE SQUIRREL CAGE TEFC, CAST IRON
FOOT MOUNTED INDUCTION MOTORS CONFORMING TO NEMA MG1-2006



ALL DIMENSIONS ARE IN INCHES

FRAME	A	B	C	D	2E	2F	G	H	J	BA	P	HD	U	R	N-W	XF	KEY			AB	AF	AA
																	S	GD	ES			
364TS	16.73	15.75	31.23	9.00	14.00	11.25	1.00	0.66	2.75	5.88	18.50	21.02	1.875	1.591	3.75	—	0.500	0.500	2.03	15.98	5.35	2
364T			33.24										2.375	2.021	5.88	—	0.625	0.625	4.28			

CUSTOMER:-			kW/(HP):-				
P.O.No.:-			FRAME:-				
ENQ./IND.No.:-			RPM:-				
CONSULTANT/CLIENT:-			M/C.No.:-				
	NAME	DATE	BROOK CROMPTON				
DRN.		6.3.08				DRG. No.	
CHD.						NEMA 36450	
APPD.						SR. No.:01 REV. No.:00	