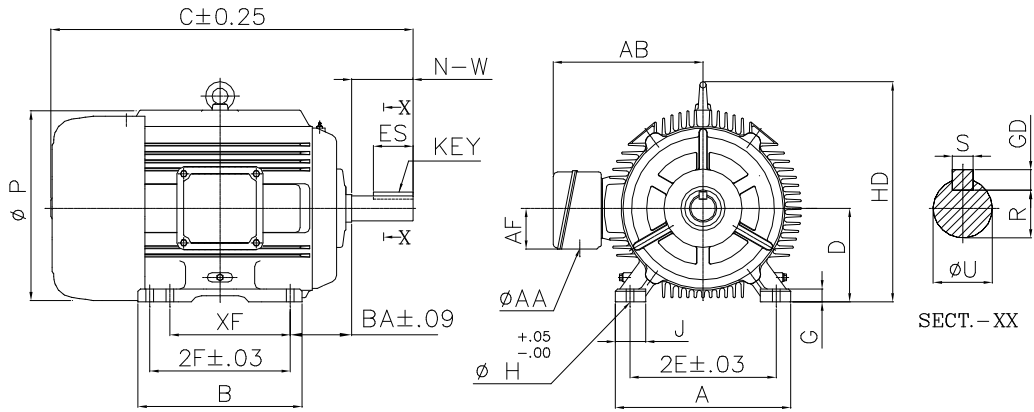


OUTLINE DIMENSION DRAWING FOR 3 PHASE SQUIRREL CAGE TEFC, CAST IRON
FOOT MOUNTED INDUCTION MOTORS CONFORMING TO NEMA MG1-2006



ALL DIMENSIONS ARE IN INCHES

FRAME	A	B	C	D	2E	2F	G	H	J	BA	P	HD	U	R	N-W	XF	KEY			AB	AF	AA
																	S	GD	ES			
365TS	16.73	15.75	33.00	9.00	14.00	12.25	1.00	0.66	2.75	5.88	18.50	21.02	1.875	1.591	3.75	11.25	0.500	0.500	2.03	15.98	5.35	2
365T			35.01										2.375	2.021	5.88		0.625	0.625	4.28			

CUSTOMER:-			kW/(HP):-		
P.O.No.:-			FRAME:-		
ENQ./IND.No.:-			RPM:-		
CONSULTANT/CLIENT:-			M/C.No.:-		
DRN.	NAME	DATE	BROOK CROMPTON		
CHD.		6.3.08			
APPD.					
			DRG. No.		
			NEMA 36550		
			SR. No.:01		
			REV. No.:00		