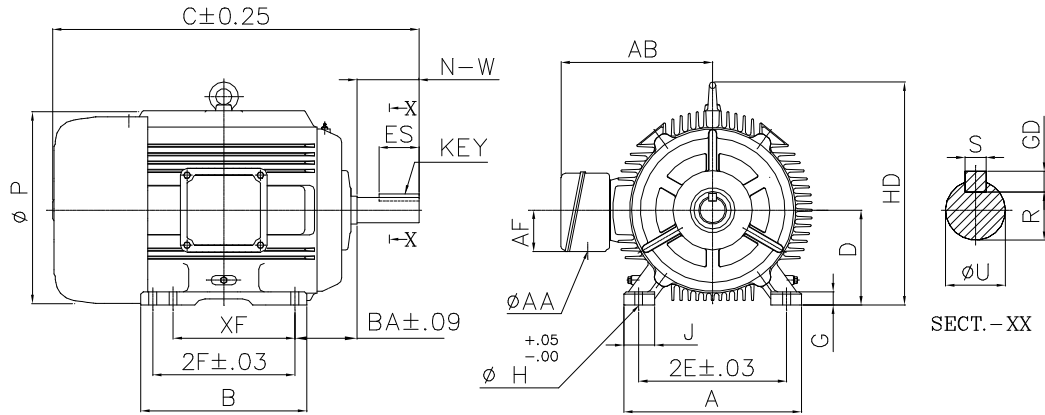


OUTLINE DIMENSION DRAWING FOR 3 PHASE SQUIRREL CAGE TEFC, CAST IRON
FOOT MOUNTED INDUCTION MOTORS CONFORMING TO NEMA MG1-2006



ALL DIMENSIONS ARE IN INCHES

FRAME	A	B	C	D	2E	2F	G	H	J	BA	P	HD	U	R	N-W	XF	KEY			AB	AF	AA
																	S	GD	ES			
404TS			37.2	10.00	16.00	10.75	1.25	0.81	3.15	6.62	19.68	23.54	2.125	1.845	4.25	—	0.500	0.500	2.78	17.08	5.35	3
404T	19.0	17.75	40.2	10.00	16.00	10.75	1.25	0.81	3.15	6.62	19.68	23.54	2.875	2.450	7.25	—	0.75	0.75	5.65	17.08	5.35	3

CUSTOMER:-	kW/(HP):-
P.O.No:-	FRAME:-
ENG./IND.No:-	RPM:-
CONSULTANT/CLIENT:-	M/C.No:-

	NAME	DATE
DRN.		6.3.08
CHD.		
APPD.		

**BROOK
CROMPTON**

DRG. No.
NEMA 40450
SR. No.:01 | REV. No.:00