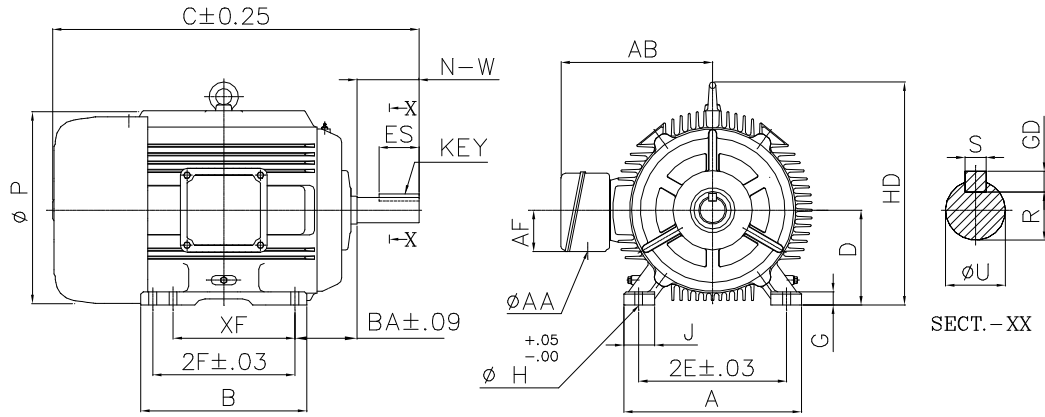


OUTLINE DIMENSION DRAWING FOR 3 PHASE SQUIRREL CAGE TEFC, CAST IRON  
FOOT MOUNTED INDUCTION MOTORS CONFORMING TO NEMA MG1-2006



ALL DIMENSIONS ARE IN INCHES

FRAME	A	B	C	D	2E	2F	G	H	J	BA	P	HD	U	R	N-W	XF	KEY			AB	AF	AA
																	S	GD	ES			
40ST	19.0	17.75	37.2	10.00	16.00	13.75	1.25	0.81	3.15	6.62	19.68	23.54	2.125	1.845	4.25	12.25	0.500	0.500	2.78	17.08	5.35	3
40ST			40.2										2.875	2.450	7.25		0.75	0.75	5.65			

CUSTOMER:-			kW/(HP):-		
P.O.No:-			FRAME:-		
ENG./IND.No:-			RPM:-		
CONSULTANT/CLIENT:-			M/C.No:-		
	NAME	DATE	<b>BROOK CROMPTON</b>		
DRN.		6.3.08			
CHD.					
APPD.					
			DRG. No.		NEMA 40550
			SR. No.:01		REV. No.:00