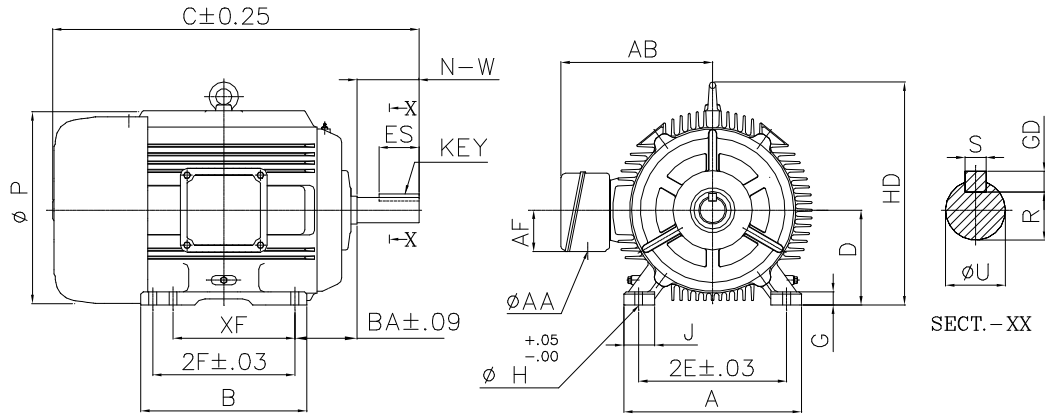


OUTLINE DIMENSION DRAWING FOR 3 PHASE SQUIRREL CAGE TEFC, CAST IRON  
FOOT MOUNTED INDUCTION MOTORS CONFORMING TO NEMA MG1-2006



ALL DIMENSIONS ARE IN INCHES

FRAME	A	B	C	D	2E	2F	G	H	J	BA	P	HD	U	R	N-W	XF	KEY			AB	AF	AA
																	S	GD	ES			
444TS			46.25			10.75							2.375	2.02	4.75		0.625	0.625	3.03			
444T	21.25	23.4	50.00	11.00	18.00	14.50	1.40	0.81	4.0	7.5	23.15	28.5	3.375	2.88	8.5	—	0.875	0.875	6.91	18.5	5.35	3

CUSTOMER:-			kW/(HP):-		
P.O.No:-			FRAME:-		
ENQ./IND.No:-			RPM:-		
CONSULTANT/CLIENT:-			M/C.No:-		
	NAME	DATE	<b>BROOK CROMPTON</b>		
DRN.		6.3.08			
CHD.					
APPD.					
			DRG. No.		NEMA 44450
			SR. No.:01		REV. No.:00

MACHINE DIVN.3(A4-210x297)