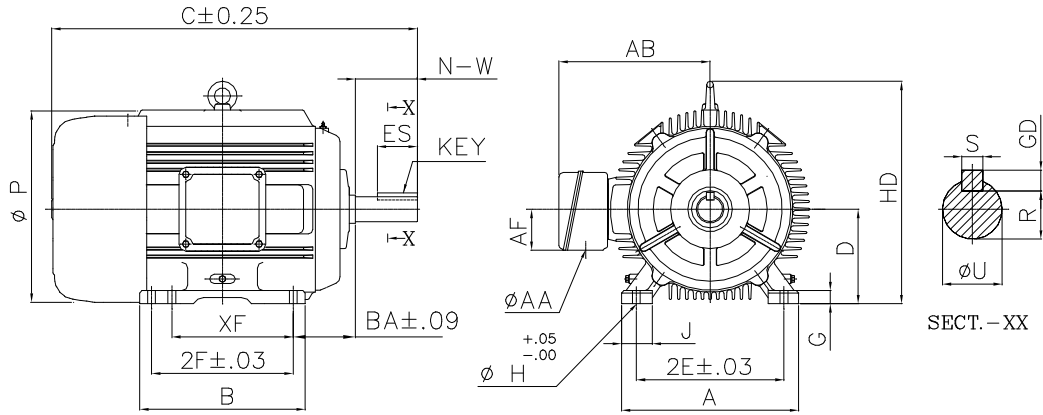


OUTLINE DIMENSION DRAWING FOR 3 PHASE SQUIRREL CAGE TEFC, CAST IRON  
FOOT MOUNTED INDUCTION MOTORS CONFORMING TO NEMA MG1-2006



ALL DIMENSIONS ARE IN INCHES

FRAME	A	B	C	D	2E	2F	G	H	J	BA	P	HD	U	R	N-W	XF	KEY			AB	AF	AA
																	S	GD	ES			
445TS			46.25	11.00	18.00	12.75	1.40	0.81	4.0	7.5	23.15	28.5	2.375	2.02	4.75	—	0.625	0.625	3.03			
445T	21.25	23.4	50.00	11.00	18.00	16.50	1.40	0.81	4.0	7.5	23.15	28.5	3.375	2.88	8.5	—	0.875	0.875	6.91	18.5	5.35	3

CUSTOMER:-			kW/(HP):-				
P.O.No:-			FRAME:-				
ENQ./IND.No:-			RPM:-				
CONSULTANT/CLIENT:-			M/C.No:-				
	NAME	DATE	<b>BROOK CROMPTON</b>				
DRN.		6.3.08				DRG. No.	
CHD.						NEMA 44550	
APPD.						SR. No.:01      REV. No.:00	