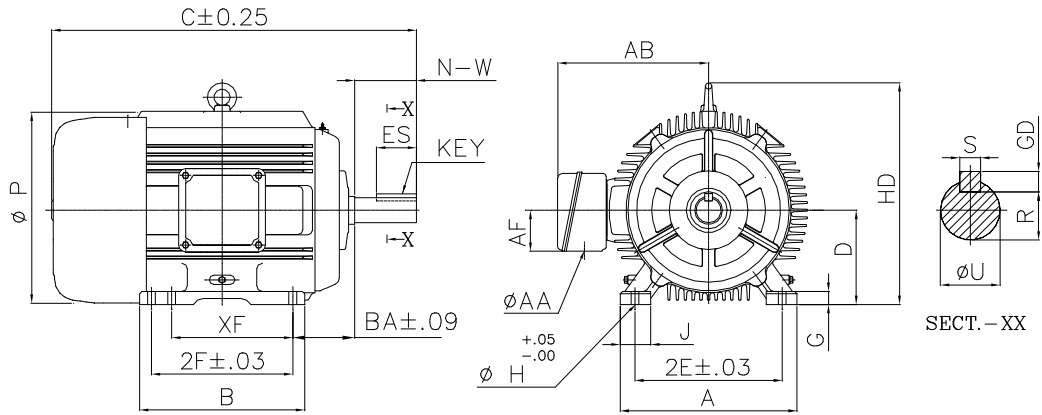


OUTLINE DIMENSION DRAWING FOR 3 PHASE SQUIRREL CAGE TEFC, CAST IRON  
FOOT MOUNTED INDUCTION MOTORS CONFORMING TO NEMA MG1-2006



ALL DIMENSIONS ARE IN INCHES

FRAME	A	B	C	D	2E	2F	G	H	J	BA	P	HD	U	R	N-W	XF	KEY			AB	AF	AA
																	S	GD	ES			
447TS			46.25			16.25							2.375	2.02	4.75		0.625	0.625	3.03			
447T	21.25	23.4	50.00	11.00	18.00	20.00	1.40	0.81	4.0	7.5	23.15	28.5	3.375	2.88	8.5	—	0.875	0.875	6.91	18.5	5.35	3

CUSTOMER:-			kW/(HP):-					
P.O.No.:-			FRAME:-					
ENQ./IND.No.:-			RPM:-					
CONSULTANT/CLIENT:-			M/C.No.:-					
DRN.	NAME	DATE				DRG. No.		
CHD.		6.3.08				NEMA 44750		
APPD.						SR. No.:01 REV. No.:00		