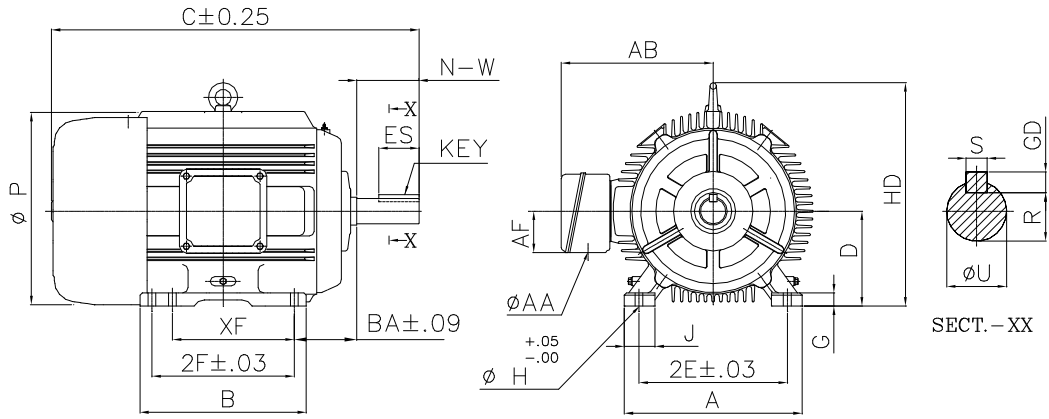


OUTLINE DIMENSION DRAWING FOR 3 PHASE SQUIRREL CAGE TEFC, CAST IRON
FOOT MOUNTED INDUCTION MOTORS CONFORMING TO NEMA MG1-2006



ALL DIMENSIONS ARE IN INCHES

FRAME	A	B	C	D	2E	2F	G	H	J	BA	P	HD	U	R	N-W	XF	KEY			AB	AF	AA
																	S	GD	ES			
504T	23.5	30.0	52.36	12.50	20.00	16.0	1.49	1.25	4.33	8.5	23.15	28.5	3.625	3.134	10.63	—	0.875	0.875	8.64	18.5	5.35	3

CUSTOMER:-			kW/(HP):-		
P.O.No.:-			FRAME:-		
ENG./IND.No.:-			RPM:-		
CONSULTANT/CLIENT:-			M/C.No.:-		
	NAME	DATE	BROOK CROMPTON		
DRN.		6.3.08			
CHD.					
APPD.					
			DRG. No. NEMA 50450		
			SR. No.:01 REV. No.:00		