

Price List for Brakes

Effective:	Nov 22, 2006
Replaces	Sept 16, 2004

Perigrip Brakes

Discount Category	40
-------------------	-----------

Size	4"	6"	8"	10"	12"
575 or 230/460 VAC Brake (less wheel)	\$2986	\$4298	\$5169	\$6843	\$9281
Part Number 575 Volt Brake	404713	406713	408713	410703	412709
Part Number 230/460 Volt Brake	404745	406744	408751	410746	412749
BRAKE WHEEL (pilot bored)	\$736	\$933	\$1286	\$1590	\$2091
Part Number	A3.21040-02	A3.21040-03	A3.21040-04	A3.21040-05	A3.21040-06

PM Brakes

Discount Category	41
-------------------	-----------

SIZE	TYPE	PART NUMBER	PRICE	BRAKE WHEEL (pilot bored)	PRICE	
4"	575 VAC WITH RECTIFIER (less wheel)	PM04.1046J.4F2B	\$2,935	A3.21040-02	\$736	
	ALL OTHER VOLTAGES – AC & DC (less wheel)	90 V DC 230/460V	PM04.1012B.4F2B PM04.1062S.4F2B			\$3,449
6"	575 VAC WITH RECTIFIER (less wheel)	PM06.2027Q.4G2B	\$4,123	A3.21040-03	\$933	
	ALL OTHER VOLTAGES – AC & DC (less wheel)	90 V DC 230/460V	PM06.2103C.4G2B PM06.2108M.4G2B			\$4,710
8"	575 VAC WITH RECTIFIER (less wheel)	PM08.3044G.4G2B	\$5,016	A3.21040-04	\$1,286	
	ALL OTHER VOLTAGES – AC & DC (less wheel)	90 V DC 230/460V	PM08.3077C.4G2B PM08.3083V.4G2B			\$5,712
10"	575 VAC WITH RECTIFIER (less wheel)	PM10.4044G.4G2B	\$6,518	A3.21040-05	\$1,590	
	ALL OTHER VOLTAGES – AC & DC (less wheel)	90 V DC 230/460V	PM10.4109C.4G2B PM10.4108V.4G2B			\$7,305
12"	575 VAC WITH RECTIFIER (less wheel)	PM12.5045G.4G2B	\$8,963	A3.21040-06	\$2,091	
	ALL OTHER VOLTAGES – AC & DC (less wheel)	90 V DC 230/460	PM12.5092C.4G2B PM12.5096V.4G2B			\$9,900
15"	575 VAC WITH RECTIFIER (less wheel)	PM15.6072G.4D2B	\$15,775	A3.21040-07	\$3,347	
	ALL OTHER VOLTAGES – AC & DC (less wheel)	90 V DC 230/460V	PM15.6060C.4O2B PM15.6087V.4G2B			\$17,282
18"	575 VAC WITH RECTIFIER (less wheel)	PM18.7XXXG.4D2B				
	ALL OTHER VOLTAGES – AC & DC (less wheel)	90 V DC 230/460V	PM18.7XXXC.4D2B PM18.7XXXV.4D2B			
21"	575 VAC WITH RECTIFIER (less wheel)	PM21.8XXXG.4D2B				
	ALL OTHER VOLTAGES – AC & DC (less wheel)	90 V DC 230/460V	PM21.8XXXC.4D2B PM21.8XXXV.4D2B			
24"	575 VAC WITH RECTIFIER (less wheel)	PM24.8XXXG.4D2B				
	ALL OTHER VOLTAGES – AC & DC (less wheel)	90 V DC 230/460V	PM24.8XXXC.4D2B PM24.8XXXV.4D2B			

XXX = Winding to be advised upon application.
i.e. Hoist, Conveyer etc.

18", 21" & 24" Brakes are manufactured as specials and not considered as stock items.

Part Numbers for the 460 volt brakes are the same as the 230/460 volt. The rectifier has a link removed for 460 volt and becomes a 1/2 wave rectifier, the 230 volt coil has a full wave rectifier with the link connected on the rectifier.

Price List for Brakes

Effective:	Nov 22, 2006
Replaces	Sept 16, 2004

PMA Brakes

Discount Category	41
-------------------	-----------

SIZE	TYPE	VOLT	PART NUMBER	PRICE	BRAKE WHEEL (pilot bored)	PRICE
8"	575 VAC WITH RECTIFIER (less wheel)	575V	PA08.3044G.4G2B	\$8,773	A3.23671-11	\$2,759
	ALL OTHER VOLTAGES - AC & DC (less wheel)	90V DC	PA08.3077C.4G2B			
		230/460V	PA08.3083V.4G2B			
10"	575 VAC WITH RECTIFIER (less wheel)	575V	PA10.4044G.4G2B	\$10,856	A3.23672-11	\$2,958
	ALL OTHER VOLTAGES - AC & DC (less wheel)	90V DC	PA10.4109C.4G2B			
		230/460V	PA10.4108V.4G2B			
13"	575 VAC WITH RECTIFIER (less wheel)	575V	PA13.5045G.4G2B	\$13,589	A3.23673-11	\$4,657
	ALL OTHER VOLTAGES - AC & DC (less wheel)	90V DC	PA13.5092C.4G2B			
		230/460V	PA13.5096V.4G2B			
16"	575 VAC WITH RECTIFIER (less wheel)	575V	PA16.6072G.4D2B	\$21,511	A3.23674-11	\$6,818
	ALL OTHER VOLTAGES - AC & DC (less wheel)	90V DC	PA16.6060C.4D2B			
		230/460V	PA16.6087V.4D2B			
19"	575 VAC WITH RECTIFIER (less wheel)	575V	PA19.7041G.4D2G	\$37,856	A3.23675-11	\$9,839
	ALL OTHER VOLTAGES - AC & DC (less wheel)	90V DC	PA19.7020C.4D2G			
23"	575 VAC WITH RECTIFIER (less wheel)	575V	PA23.9013G.4D2B	\$58,600	A3.23676-11	\$15,157
	ALL OTHER VOLTAGES - AC & DC (less wheel)	90V DC	PA23.9012C.4D2B			
30"	230 VOLT - DC (less wheel)	230V DC	PA30.0003X.4D2G	\$137,300	TBA	TBA
	90V - DC (less wheel)	90V DC	PA30.0004X.4D2B			

PMD Brakes

Discount Category	41
-------------------	-----------

SIZE	TYPE	VOLT	PART NUMBER	PRICE	BRAKE WHEEL (pilot bored)	PRICE
160	575 VAC WITH RECTIFIER (less wheel)	575V			A3.23671-11	
	ALL OTHER VOLTAGES - AC & DC (less wheel)	90V DC				
		230/460V				
200	575 VAC WITH RECTIFIER (less wheel)	575V			A3.23672-11	
	ALL OTHER VOLTAGES - AC & DC (less wheel)	90V DC				
		230/460V				
250	575 VAC WITH RECTIFIER (less wheel)	575V			A3.23673-11	
	ALL OTHER VOLTAGES - AC & DC (less wheel)	90V DC				
		230/460V				
315	575 VAC WITH RECTIFIER (less wheel)	575V			A3.23674-11	
	ALL OTHER VOLTAGES - AC & DC (less wheel)	90V DC				
		230/460V				
400	575 VAC WITH RECTIFIER (less wheel)	575V			A3.23675-11	
	ALL OTHER VOLTAGES - AC & DC (less wheel)	90V DC				
500	575 VAC WITH RECTIFIER (less wheel)	575V			A3.23676-11	
	ALL OTHER VOLTAGES - AC & DC (less wheel)	90V DC				
630	230 VOLT - DC (less wheel)	230V DC			TBA	
	90V - DC (less wheel)	90V DC				

Price List for Brakes

Effective:	Nov 22, 2006
Replaces	Sept 16, 2004

AEWK Brakes

SIZE	THRUSTOR	PART NUMBER	PRICE	SIZE	THRUSTOR	PART NUMBER	PRICE
8"	HD25/5	460 575	AE06.B43437.MG2B AE06.B45437.MG2B	19"	HD125/5	460 575	AE19.F43138.PD2B AE19.F43138.PD2B
	10"	HD25/5	460 575		AE10.B43437.MG2B AE10.B45437.MG2B	HD200/8	460 575
13"	HD75/5	460 575	AE13.D43138.NG2B AE13.D45138.NG2B	23"	HD200/12	460 575	AE23.M43138.SD2B AE23.M45138.SD2B
16"	HD75/5	460 575	AE16.D43138.NG2B AE16.D45138.NG2B		30"	HD300/12	460 575
			\$11,654				\$27,420
			\$11,822				\$30,797
			\$16,552				\$41,738
			\$22,101				\$51,860

MEWK Brakes

SIZE	THRUSTOR	PART NUMBER	PRICE	SIZE	THRUSTOR	PART NUMBER	PRICE	
160	HD25/5	460 575		400	HD75/5	460 575		
	200	HD25/5			460 575	HD125/6		460 575
250	HD75/5	460 575		500	HD125/6	460 575		
	HD25/5	460 575			HD200/6	460 575		
	HD75/5	460 575			HD200/12	460 575		
315	HD25/5	460 575		630	HD200/12	460 575		
	HD75/5	460 575			710	HD200/12		460 575
	HD125/6	460 575						

Price List for Brakes

Effective:	Nov 22, 2006
Replaces	Sept 16, 2004

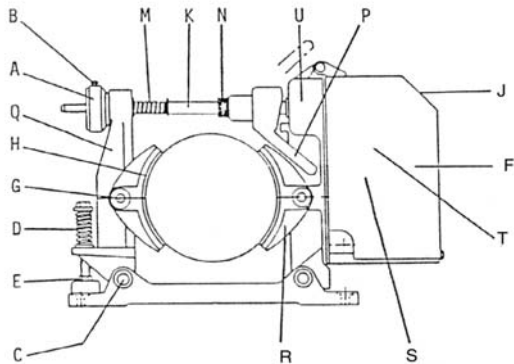
HD Thrustor

SIZE	VOLTAGE	PART NUMBER	PRICE	SIZE	VOLTAGE	PART NUMBER	PRICE
25/5	460			200/6	460		
	575				575		
50/5	460			125/12	460		
	575				575		
75/5	460			200/12	460		
	575				575		
125/6	460						
	575						

Price List for Parts

Effective:	Nov 22, 2006
Replaces	Sept 16, 2004

Spare Parts - Perigrip Brake



A Knurled Adjustment Nut	K Square Spring Rod
B Locking Plunger	M Release Spring
C Free Arm Pivot	N Circlips
D Spring-Loaded Centering Pin	P Hand Release Lever
E Lock Nut	Q Free Arm
F Clapper	R Self-Aligning Brake Shoes
G Steel Shoe Pivots	S Operating Arm
H Brake Linings	T Retaining Spring
J Hinged Magnet Cover	U Brake Operating Spring
	Z Base

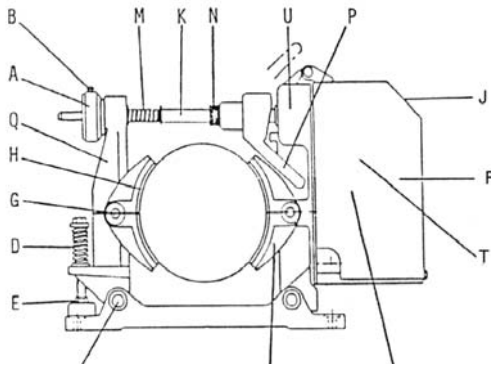
Discount Category **40**

ITEM	DESCRIPTION	4"	6"	8"	10"	12"
—	Operating Coil	\$500	\$564	\$619	\$719	\$910
	Part Number – 575 Volt	4.ACP-13	6.ACP-13	8.ACP-13	10.ACP-3	12.ACP-9
	Part Number – 230/460 Volt	4.ACP-45	6.ACP-44	8.ACP-51	10.ACP-46	12.ACP-49
C&G	Pivot Pin Sets –	\$151	\$199	\$199	\$274	\$356
		PG04.PIN.KITSET	PG06.PIN.KITSET	PG06.PIN.KITSET	PG10.PIN.KITSET	PG12.PIN.KITSET
D/E	Spring Loaded Pin	\$73	\$91	\$127	\$136	\$164
	Part Number	436900	737000	737100	737200	737300
F/S/T	Magnet Assembly	\$1,760	\$2,137	\$2,719	\$4,169	\$5,037
	Part Number	173020	172689	172720	177325	177328
J	Magnet Cover	\$109	\$164	\$191	\$318	\$428
	Part Number	172938-01	173055-01	173057-01	173064-01	173067-01
	Magnet Cover Tray	\$60	\$64	\$64	\$76	\$85
	Part Number	172938-02	173055-02	173057-02	173064-02	173067-02
P	Hand Release Lever	\$113	\$128	\$166	\$166	\$189
	Part Number	286873	286872	286871	286871	286870
Q	Free Arm	\$267	\$284	\$409	\$418	\$591
	Part Number	266714	266715	172695	172457	172410
H/R	Lined Brake Shoes - complete	\$672	\$748	\$1,155	\$1,322	\$2,326
	Part Number	385134	385135	385136	385137	385138
T	Retaining Spring	\$127	\$136	\$246	\$363	\$363
	Part Number	172632	172681	436600	436700	436700
Z	Base	\$453	\$566	\$855	\$1,273	\$1,483
	Part Number	172576	155643	172713	172458	172408
A/B/K/M/N/U	Spring Rod Assembly	\$861	\$936	\$1,012	\$1,171	\$1,171
	Part Number	A3.25395-01	A3.25395-02	A3.25395-03	A3.25395-04	A3.25395-05

Price List for Parts

Effective:	Nov 22, 2006
Replaces	Sept 16, 2004

Spare Parts - PM Brake



A Adjusting Nut	P Gap/Guard Indicator
B Shoe Support	Q Armature
C Pivot Pin	R Indicator Pointer
D Spring Rod	S Armature Support
E Balance Screw	T Base
F Friction Screw	U Adjusting Nut
G Spring Clip	V Magnet Pot
H Shoe Pins	W Anti-Sticking Stud
J&K Lined Brake Shoes	X Split Pins
L Pivot Pin	Y Split Pins
M Pivot Pin	Z Armature Gap
N Spring	

Discount Category	41
-------------------	-----------

ITEM	DESCRIPTION	4"	6"	8"	10"	12"	15"	18"
A/U/D/N	Adjusting Nut	\$240	\$253	\$513	\$513	\$766	\$862	\$1,293
	Part Number	A3.25123-21	A3.25123-22	A3.25123-23	A3.25123-24	A3.25123-25	A3.25123-26	A3.25123-27
B	Shoe Support	\$174	\$237	\$340	\$490	\$791	\$1,012	\$3,787
	Part Number	B.12199-11	B.11792-11	E.11903-11	E.11893-11	E.119717-11	E.11845-11	E.12060-11
C/H/L/M	Pivot Pin Sets	\$363	\$418	\$527	\$527	\$732	\$1,026	\$1,888
	Part Number	A3.25399-21	A3.25399-22	A3.25399-23	A3.25399-24	A3.25399-25	A3.25399-26	A3.25399-27
E	Balance Nut/Bolt Ass'y	\$28	\$36	\$43	\$43	\$43	\$43	\$63
	Nut Part Number	7550600	KS.20742-19	KS.20742-70	KS.20742-70	KS.20742-71	KS.20742-71	KS.20742-12
	Bolt Part Number	4400.5828-018	KS.20749-46	4500.5426-010	4500.5426-010	KS.20749.53	KS.20749-56	KS.60418-40
F	Friction Screw	\$8	\$8	\$8	\$8	\$8	\$8	\$8
	Part Number	A4.22925-02	A4.22925-02	A4.22925-02	A4.22925-02	A4.22925-02	A4.22925-02	A4.22925-02
G	Spring Clips (Price per set -4)	\$40	\$40	\$40	\$40	\$40	\$41	\$41
	Part Number	KS.10582	KS.10582	KS.10582	KS.60212	KS.60212	KS.60213	KS.60213
J/K	Lined Brake Shoes (Pair)	\$506	\$640	\$1,051	\$1,154	\$1,739	\$2,562	\$5,052
	Part Number	A2.22411-23	A2.22412-27	A2.22413-27	A2.22414-27	A2.22415-27	A2.22416-27	A2.22417-27
P	Gap/Guard Indicator	\$87	\$87	\$87	\$107	\$107	\$126	\$245
	Part Number	A1.22976-01	A1.22976-02	A1.22976-03	A1.22976-04	A1.22976-05	A1.22976-06	A1.22976-07
Q	Armature Plate	\$229	\$328	\$391	\$470	\$443	\$704	\$846
	Part Number	A1.22987-11	A4.22906-01	A2.22906-12	A2.22906-13	A2.22906-14	A2.22906-15	A2.22906-16
R	Indicator Pointer	\$40	\$47	\$55	\$55	\$55	\$63	\$63
	Part Number	A4.22978	A4.22977-01	A4.22977-02	A4.22977-02	A4.22977-02	A4.22977-03	A4.22977-03
S	Armature Support	\$336	\$399	\$561	\$814	\$1,095	\$1,467	\$5,127
	Part Number	B.12199-12	B.11792-12	E.11903-12	E.11893-12	E.11917-12	E.11845-12	E.12060-12
T	Base	\$387	\$486	\$561	\$949	\$1,349	\$1,830	\$4,566
	Part Number	B.112198-11	B.11793-11	B.11904-11	B.11891-11	B.11919-11	B.11860-11	B.11861-11
V	Magnet Coil Pot	\$1,799	\$2,281	\$3,407	\$4,550	\$5,242	\$7,352	\$11,720
	Part Nbr - 575 Volt	SM04.1046J-004	SM06.2027Q-004	SM08.3044G-004	SM10.4044G-004	SM12.5045G-004	SM15.6072G-004	
	Part Nbr - 90 Volt DC	SM04.1012B-004	SM06.2103C-004	SM08.3077C-004	SM10.4109C-004	SM12.5092C-004	SM15.6060C-004	
	Part Nbr - 460 Volt	SM04.1062S-004	SM06.2108M-004	SM08.3083V-004	SM10.4108V-004	SM12.5096V-004	SM15.6087V-004	
W	Anti-Stick Stud		\$20	\$20	\$20	\$20	\$20	\$40
	Part Number		A4.22979-01	A4.22979-01	A4.22979-01	A4.22979-01	A4.22979-01	A4.22979-02
X&Y	Split Pins (6)	\$28	\$51	\$51	\$51	\$51	\$51	\$51
	(2 off)		KS.60376-03	KS.60376-05	KS.60376-05	KS.60376-05	KS.60376-05	KS.60376-08
	(4 off)	KS.60376-03	KS.60376-05	KS.60376-08	KS.60376-08	KS.60376-08	KS.60376-08	KS.60376-11
—	Rectifier - 1 phase	\$447	\$447	\$569	\$569	\$569	\$569	\$569
	Part Number	A3.23344	A3.23345	KS.10667	KS.10667	KS.10667	KS.10667	KS.10671
	Rectifier - 3 phase	\$605	\$605	\$743	\$743	\$743	\$743	\$743
	Part Number		KS.10858	KS.10700	KS.10700	KS.10700	KS.10700	KS.10700
	D.C. Terminal Panel	\$103	\$103	\$103	\$103	\$103	\$103	\$103
	Part Number	KS.10788	KS.10635	KS.10635	KS.10635	KS.10635	KS.10635	KS.10635
	Linings Spare (3915F)	\$249	\$285	\$312	\$312	\$621	\$688	\$1,210
	Part Number	A3.23117-21	A3.23118-22	A3.23118-23	A3.23118-23	A3.23118-25	A3.23118-26	A3.23118-27
	Main Spring Flanges			\$51	\$51	\$67	\$67	\$75
	Part Number			A3.21379-50	A3.21379-50	A3.21379-51	A3.21379-51	A3.21379-52

Special 50 Hz. models available. Please consult local Brook Crompton sales office for pricing on brakes with non-standard voltage supply and/or frequency.